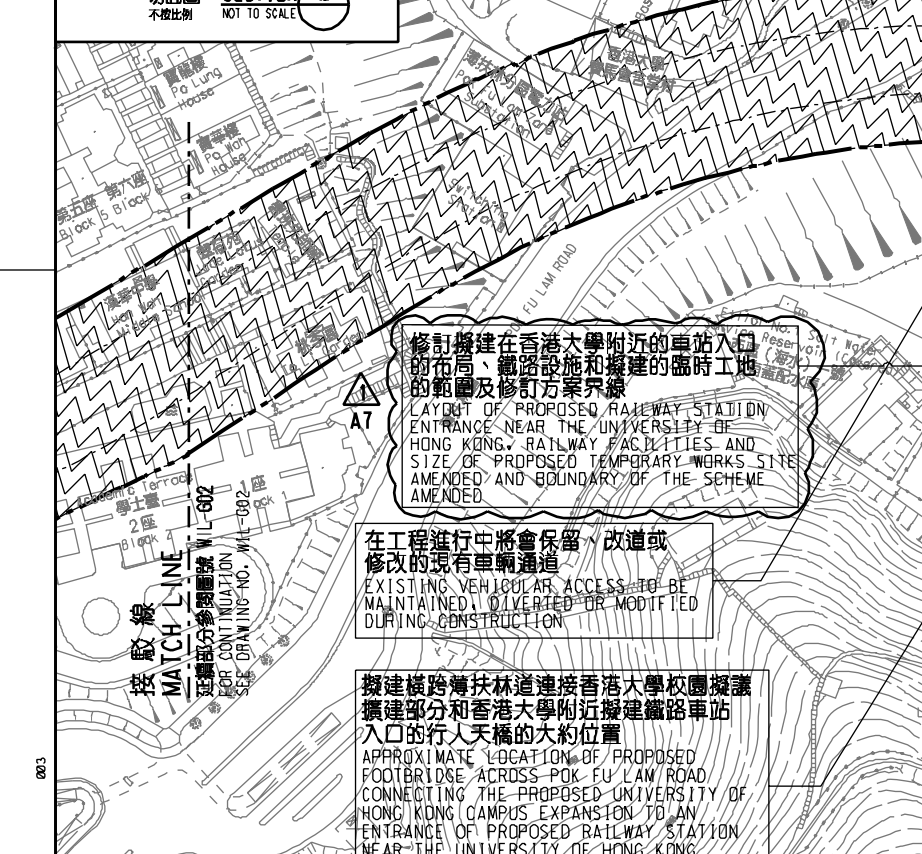
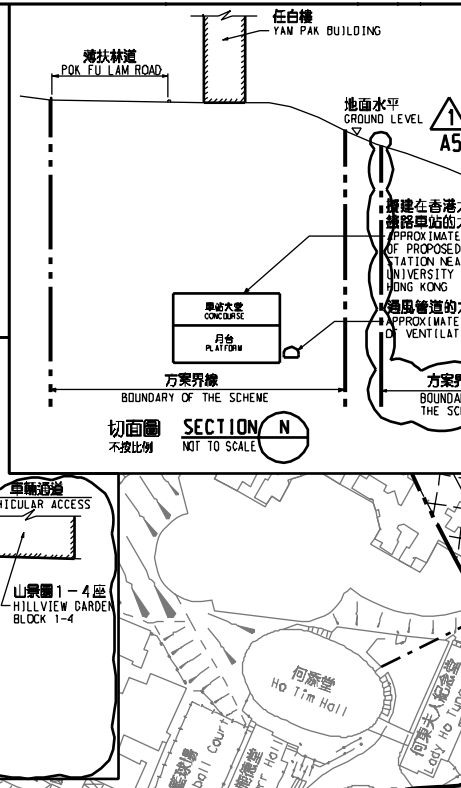
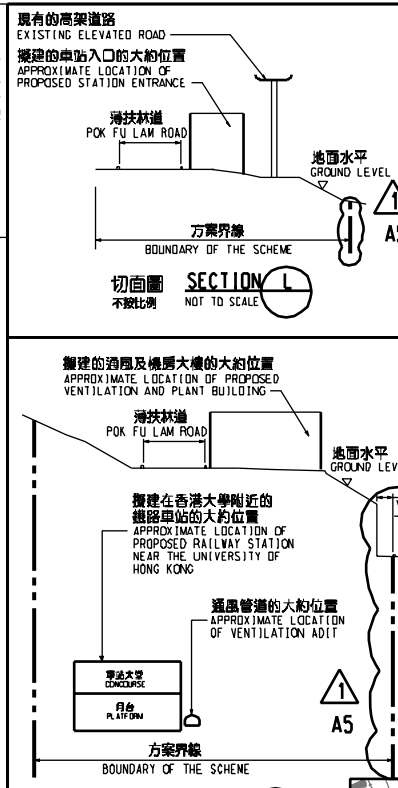


DRAWING NO. WIL/G03/0006/1

DATE: 16/3/2010  
PRINTED BY: K6/WNY  
FILE NAME: f:\cib\wip\p00\cib\ood\_csbare\WIL-G03-0006-1.dgn



### 說明 NOTES

此圖根據第WIL-G03號(修改1)圖則制訂, 分別以黃色、紅色和藍色標明山道、南里和加倫臺將暫時封閉的部分行車道及行人路路面的路面。

THIS DRAWING IS PREPARED BASED ON DRAWING NO. WIL-G03 (REVISION 1) AND IS INTENDED TO SHOW THE SECTIONS OF HILL ROAD, SOUTH LANE AND CLARENCE TERRACE (HIGHLIGHTED IN YELLOW, RED AND BLUE RESPECTIVELY) OF WHICH PARTS OF THE CARRIAGEWAY AND FOOTPATH WIDTHS ARE TO BE TEMPORARILY CLOSED.

### 一般說明 GENERAL NOTES

1. 剖面圖所示鐵路設施的形狀和輪廓均屬示意性質。GOMETRY AND CONFIGURATION OF RAILWAY FACILITIES SHOWN IN SECTIONS ARE SCHEMATIC.
2. 所有在制定方案界線內的道路 (包括行車道、行人徑及露天地方), 無論在否在圖則中顯示, 都可能有永久或暫時封閉或大幅改動。ALL ROADS INCLUDING CARRIAGEWAYS, FOOTPATHS AND OPEN PLACE WITHIN THE BOUNDARY OF THE SCHEME, WHETHER OR NOT SHOWN ON THE DRAWINGS MAY BE CLOSED OR ALTERED SUBSTANTILY ON A PERMANENT OR TEMPORARY BASIS.
3. 除非圖則中特別註明, 否則在方案界線內, 或與方案界線毗鄰的所有建築物的汽車通道及行人通道, 包括逃生路徑, 將會保留。UNLESS NOTED OTHERWISE ON THE DRAWINGS, VEHICULAR AND PEDESTRIAN ACCESSES INCLUDING MEANS OF ESCAPE TO AND FROM ALL BUILDINGS WITHIN OR ADJACENT TO THE BOUNDARY OF THE SCHEME ARE TO BE MAINTAINED.
4. 所有水平平均為約數, 以米為單位, 並為香港的主水平基準。ALL LEVELS ARE APPROXIMATE AND IN METRES ABOVE HONG KONG PRINCIPAL DATUM (mPD).
5. 圖則顯示的建造方法分界線只是大概位置, 有關界線可能因應實際的地盤情況而作出改動。BOUNDARIES SHOWN ON DRAWINGS FOR THE CONSTRUCTION METHODS TO BE CARRIED OUT ARE APPROXIMATE ONLY. THESE BOUNDARIES MAY BE ALTERED ON SITE TO SUIT PREVAILING SITE CONDITIONS.

修改表 TABLE OF AMENDMENTS

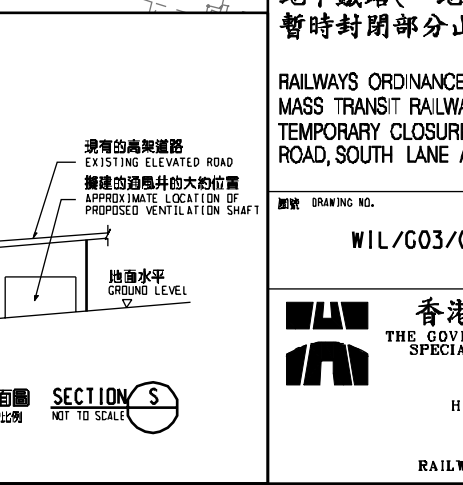
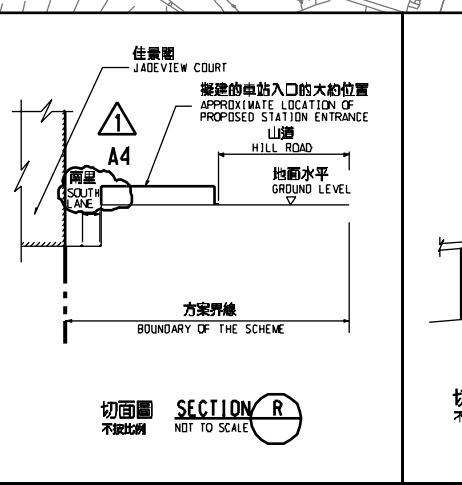
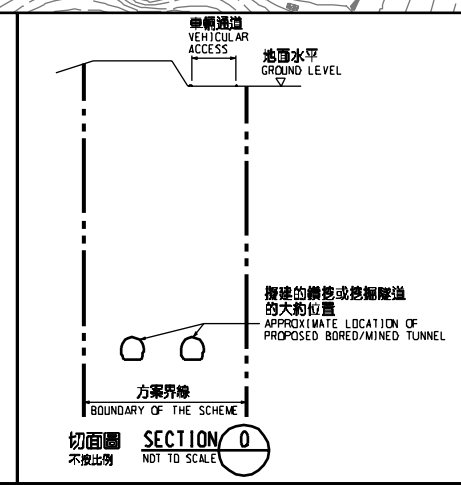
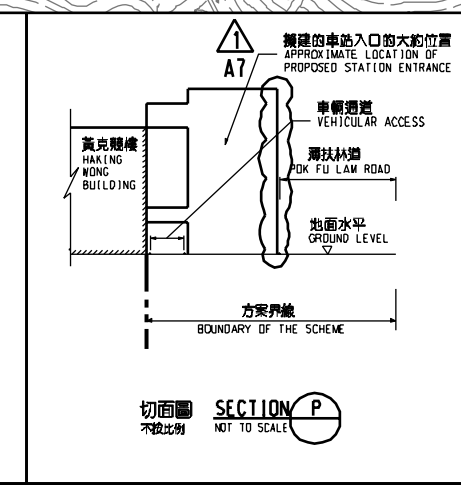
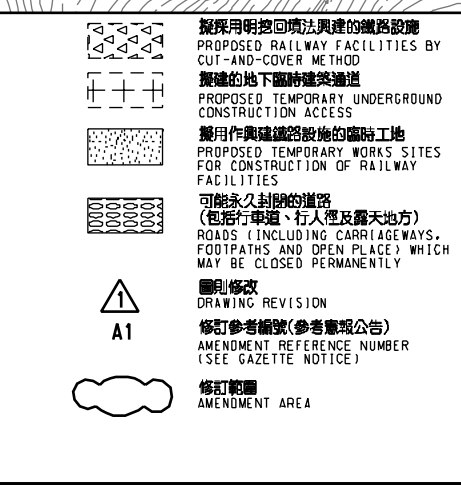
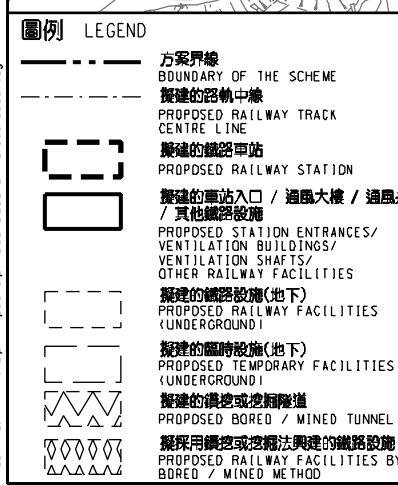
更改 REV	日期 DATE	簽署 BY	類別 SUB	用途 APP	說明 DESCRIPTION

SIGNED

何晴儀 HO PING KLEI  
主筆工程師  
鐵路發展處工程師 (2-1)  
CHIEF ENGINEER / RAILWAY DEVELOPMENT (2-1)  
HIGWAYS DEPARTMENT

11/3/2010  
發出日期 DATE OF ISSUE

圖則名稱 DRAWING TITLE  
**鐵路條例 (第519章)  
地下鐵路 (「地鐵」) - 西港島綫  
暫時封閉部分山道、南里和加倫臺**



### RAILWAYS ORDINANCE (CHAPTER 519) MASS TRANSIT RAILWAY (MTR) - WEST ISLAND LINE TEMPORARY CLOSURE OF SECTIONS OF HILL ROAD, SOUTH LANE AND CLARENCE TERRACE

圖號 DRAWING NO. WIL/G03/0006/1

比例 SCALE 1:1000 (A1) 或如標明 (OR AS SHOWN)

**香港特別行政區政府**  
THE GOVERNMENT OF THE HONG KONG  
SPECIAL ADMINISTRATIVE REGION

**路政署**  
HIGHWAYS DEPARTMENT

**鐵路拓展處**  
RAILWAY DEVELOPMENT OFFICE