

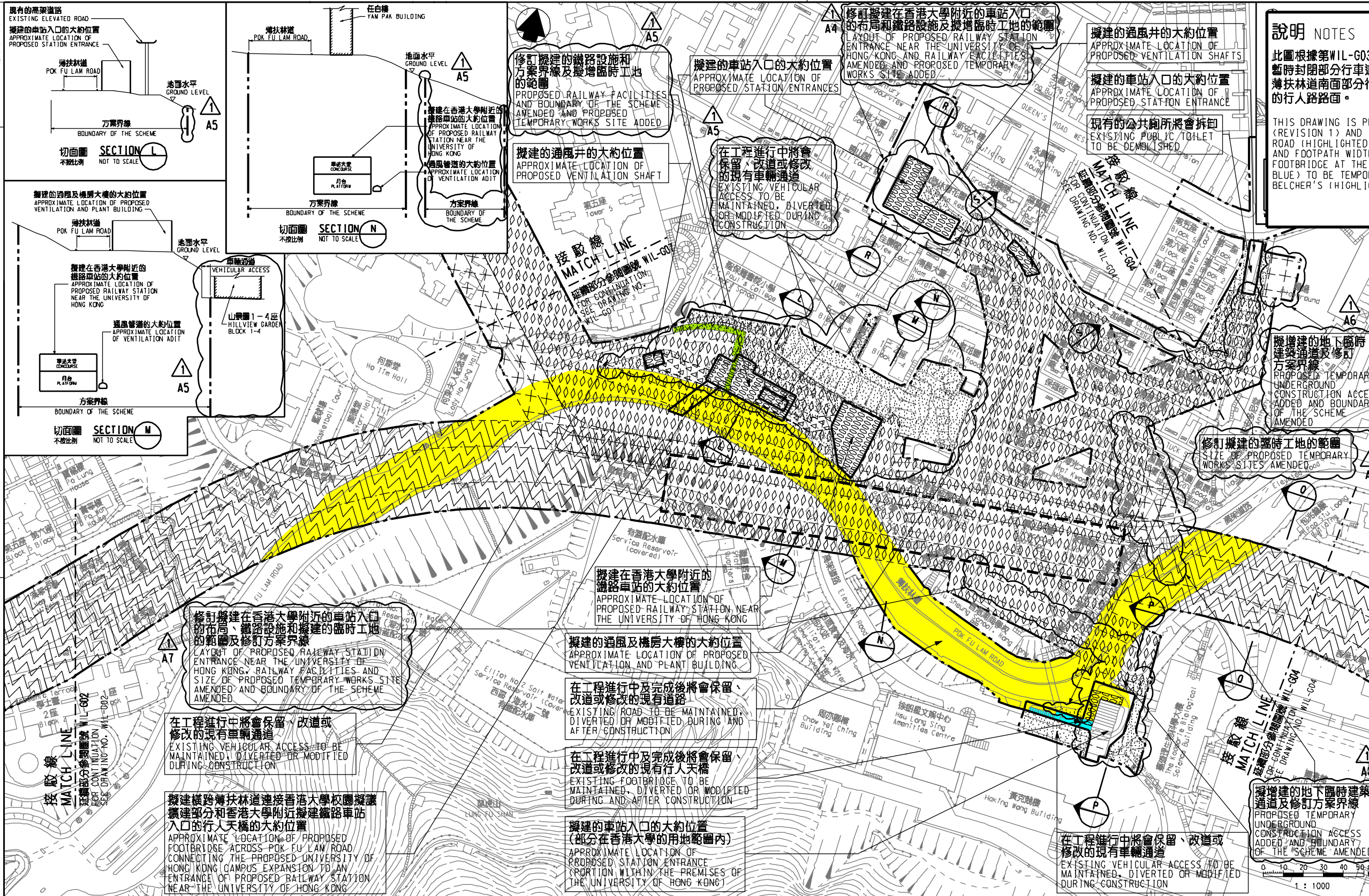
說明 NOTES

此圖根據第WIL-G03號(修改 1)圖則制訂,以黃色標明薄扶林道將暫時封閉部分車道及行人路路面的路面,以藍色標明將暫時封閉薄扶林道南面部分行人天橋,及以綠色標明將暫時封閉鄰近寶翠園的行人路面。

THIS DRAWING IS PREPARED BASED ON DRAWING NO. WIL-G03 (REVISION 1) AND IS INTENDED TO SHOW SECTIONS OF POK FU LAM ROAD (HIGHLIGHTED IN YELLOW) OF WHICH PARTS OF THE CARRIAGEWAY AND FOOTPATH WIDTHS ARE TO BE TEMPORARILY CLOSED, PARTS OF A FOOTBRIDGE AT THE SOUTH OF POK FU LAM ROAD (HIGHLIGHTED IN BLUE) TO BE TEMPORARILY CLOSED, AND THE FOOTPATH NEAR THE BELCHER'S (HIGHLIGHTED IN GREEN) TO BE TEMPORARILY CLOSED.

一般說明 GENERAL NOTES

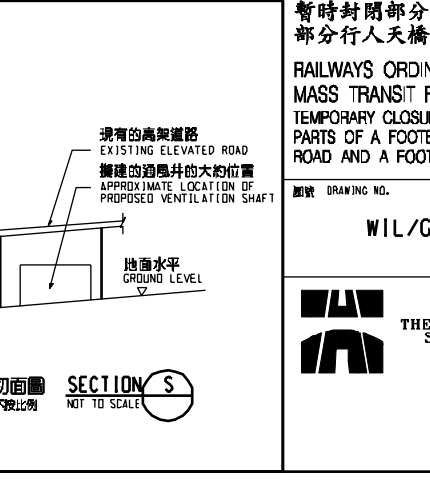
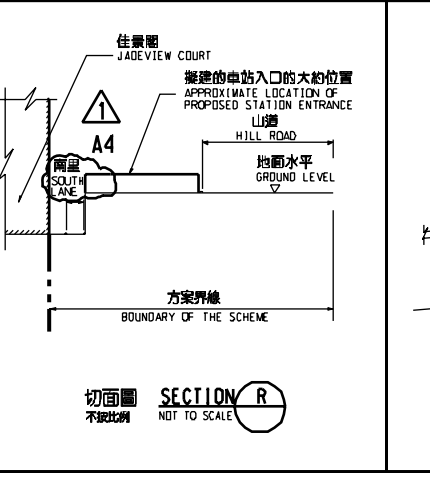
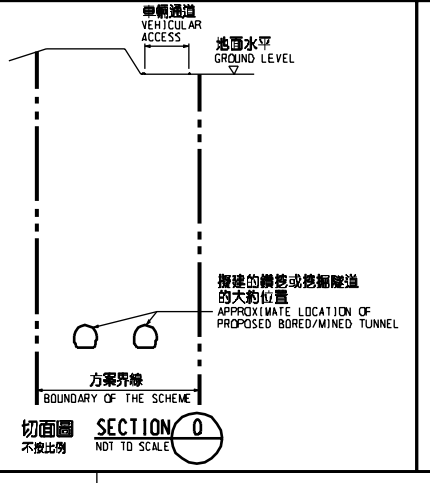
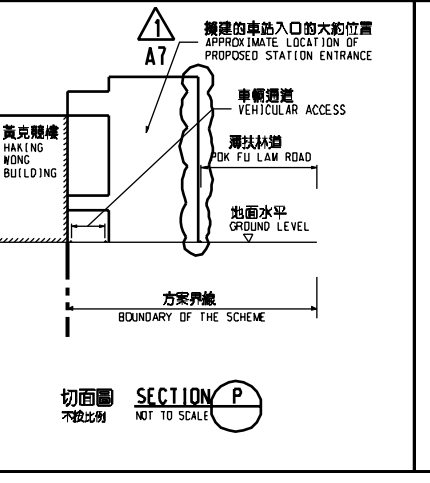
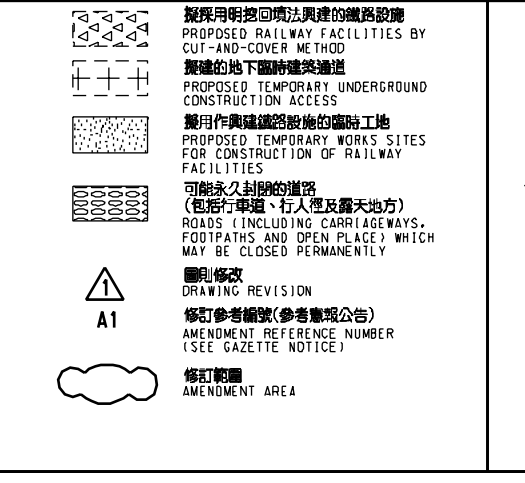
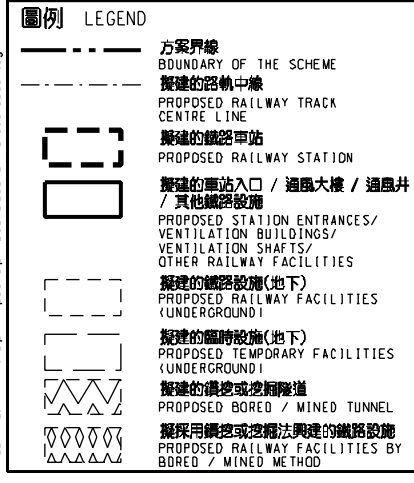
1. 剖面圖所示鐵路設施的形狀和輪廓均屬示意性質。GEOMETRY AND CONFIGURATION OF RAILWAY FACILITIES SHOWN IN SECTIONS ARE SCHEMATIC.
2. 所有在制定方案界線內的道路(包括行車道、行人徑及露天地方),無論在否在圖則中顯示,都可能有永久或暫時封閉或大幅改動。ALL ROADS INCLUDING CARRIAGEWAYS, FOOTPATHS AND OPEN PLACE WITHIN THE BOUNDARY OF THE SCHEME, WHETHER OR NOT SHOWN ON THE DRAWINGS MAY BE CLOSED OR ALTERED SUBSTANTIALLY ON A PERMANENT OR TEMPORARY BASIS.
3. 除非圖則中特別註明,否則在方案界線內,或與方案界線毗鄰的所有建築物的汽車通道及行人通道,包括逃生路徑,將會保留。UNLESS NOTED OTHERWISE ON THE DRAWINGS, VEHICULAR AND PEDESTRIAN ACCESSES INCLUDING MEANS OF ESCAPE TO AND FROM ALL BUILDINGS WITHIN OR ADJACENT TO THE BOUNDARY OF THE SCHEME ARE TO BE MAINTAINED.
4. 所有水平均為約數,以米為單位,並為香港的主水平基準。ALL LEVELS ARE APPROXIMATE AND IN METRES ABOVE HONG KONG PRINCIPAL DATUM (mPD).
5. 圖則顯示的建造方法分界線只是大概位置,有關界線可因應當時的地線情況而作出改動。BOUNDARIES SHOWN ON DRAWINGS FOR THE CONSTRUCTION METHODS TO BE CARRIED OUT ARE APPROXIMATE ONLY. THESE BOUNDARIES MAY BE ALTERED ON SITE TO SUIT PREVAILING SITE CONDITIONS.



修訂表
TABLE OF AMENDMENTS

修訂號	日期	修訂	核對	備註
REV	DATE	BY	SUB	APP

SIGNED
何曉龍 HO PING KLEW
10/2/2010
發出日期 DATE OF ISSUE



鐵路條例(第519章)
地下鐵路(「地鐵」) - 西港島線
暫時封閉部分薄扶林道、薄扶林道的南面部分行人天橋和鄰近寶翠園的行人徑

RAILWAYS ORDINANCE (CHAPTER 519)
MASS TRANSIT RAILWAY (MTR) - WEST ISLAND LINE
TEMPORARY CLOSURE OF SECTIONS OF POK FU LAM ROAD, PARTS OF A FOOTBRIDGE AT THE SOUTH OF POK FU LAM ROAD AND A FOOTPATH NEAR THE BELCHER'S

圖號 DRAWING NO.
WIL/G03/0005/1

比例 SCALE
1:1000 (A1)
或如顯示
AS SHOWN

香港特別行政區政府
THE GOVERNMENT OF THE HONG KONG
SPECIAL ADMINISTRATIVE REGION
路政署
HIGHWAYS DEPARTMENT
鐵路拓展處
RAILWAY DEVELOPMENT OFFICE