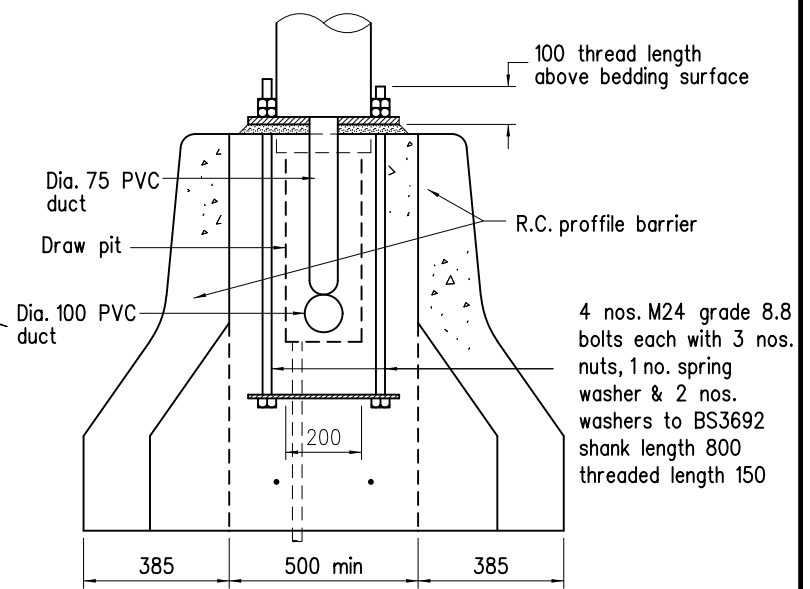
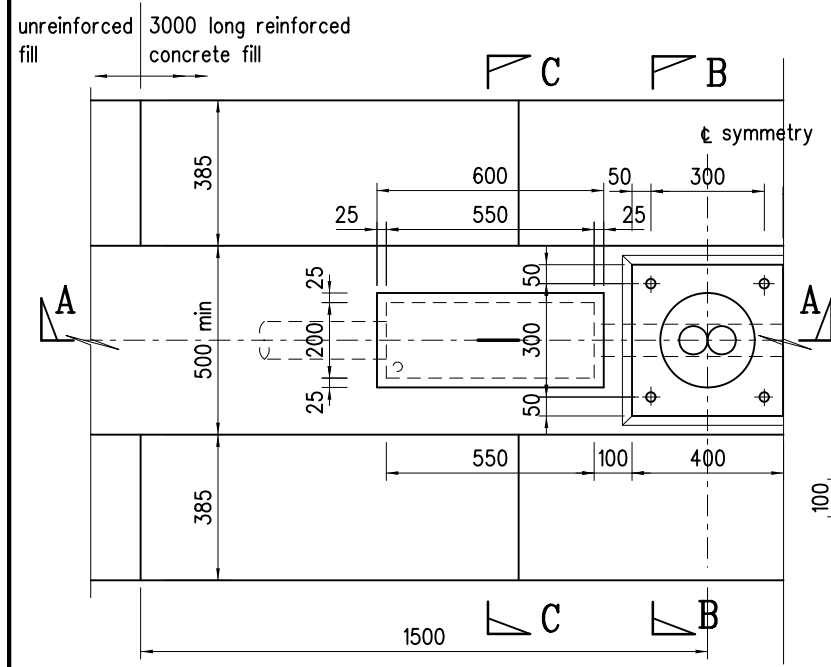


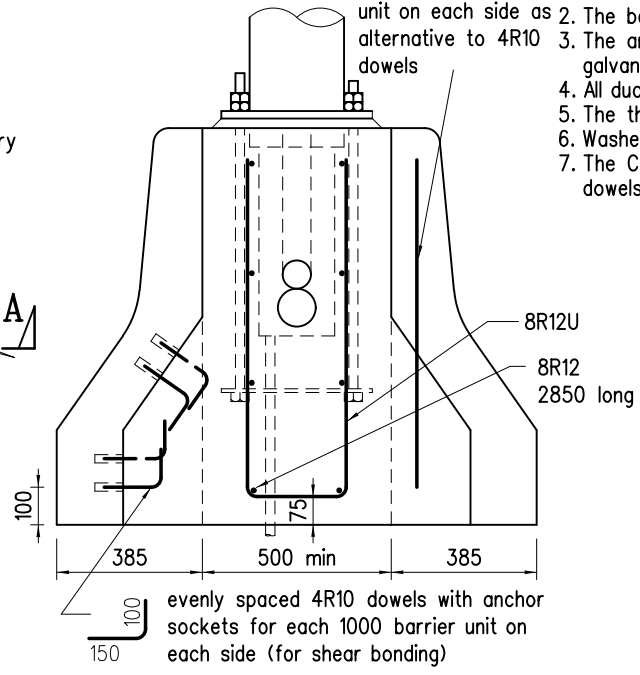
SECTION A-A



SECTION B-B (U-bars not shown for clarity)



PLAN (PART)



SECTION C-C

2T10-800 long for each 1000 barrier unit on each side as alternative to 4R10 dowels

Notes:

1. All dimensions are in millimetres.
2. The bolts shall be fixed using suitable template.
3. The anchor bolts & nuts shall be stainless steel or hot dip galvanised to BS EN ISO 1461: 2022.
4. All ducts shall be provided with draw wires.
5. The thread & nuts shall be protected with bitumen after the column is fixed.
6. Washers shall have a minimum dia. of 60mm & be 6mm thick.
7. The Contractor may propose shear bonding other than 4R10 dowels or 2T10 as shown for the Engineer's approval.

B	Note 3 and 7 updated	Original Signed	Nov 24
A	Note 3 updated	-	Sep 07
	Former Drg. no. H2001/7 with general revision	-	Jun 94
REF.	REVISION	SIGNATURE	DATE

**MOUNTING DETAILS OF
FLANGED LIGHTING COLUMN
ON CONCRETE PROFILE BARRIER**

HIGHWAYS DEPARTMENT

REFERENCE	DRAWING No.	CAD
SCALE	H 2106B	
1:20		