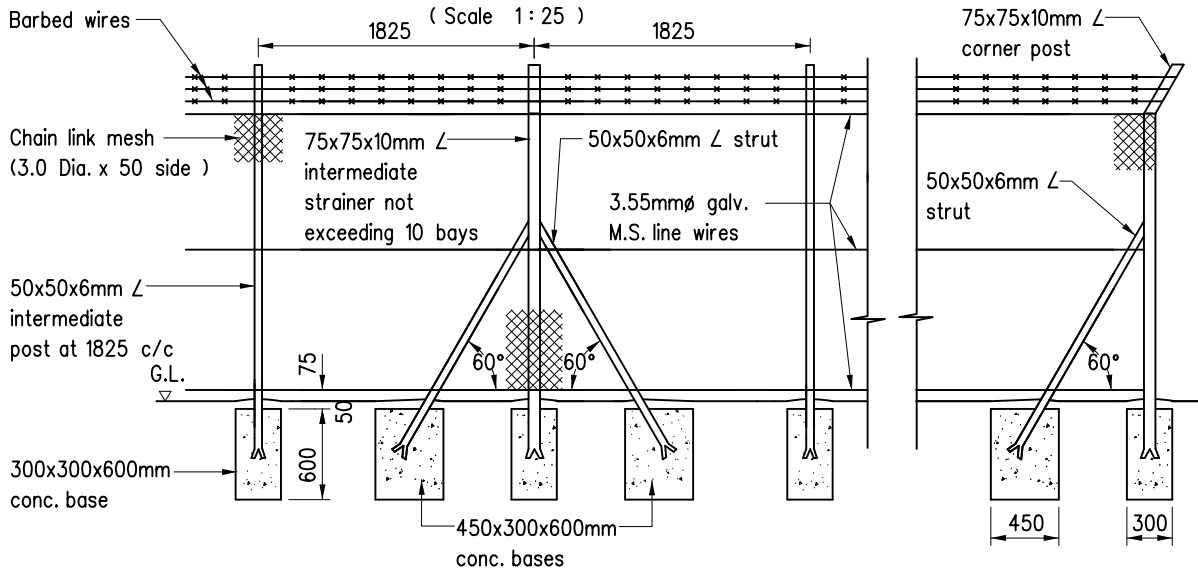


PEDESTRIAN GATE



ELEVATION OF INTERMEDIATE POST INTERMEDIATE STRAINER & CORNER POST

(Scale 1 : 50)

Note :

See Drg. No. H6121D

REF.	REVISION	SIGNATURE	DATE
C	Note updated		Oct 24
B	Note updated		Oct 23
A	Note 8 added		Nov 99
	Former Drg. No. H6005/2 with general revision		Jun 94

CHAIN LINK FENCE
(SHEET 2 OF 2)

HIGHWAYS DEPARTMENT

REFERENCE	HH 4935	DRAWING No.	CAD
SCALE	As shown	H 6122C	