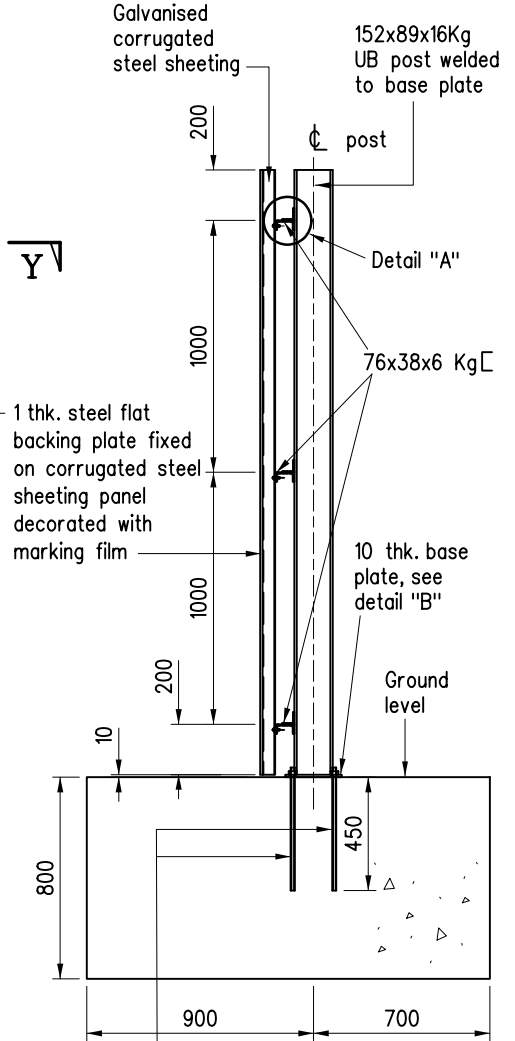
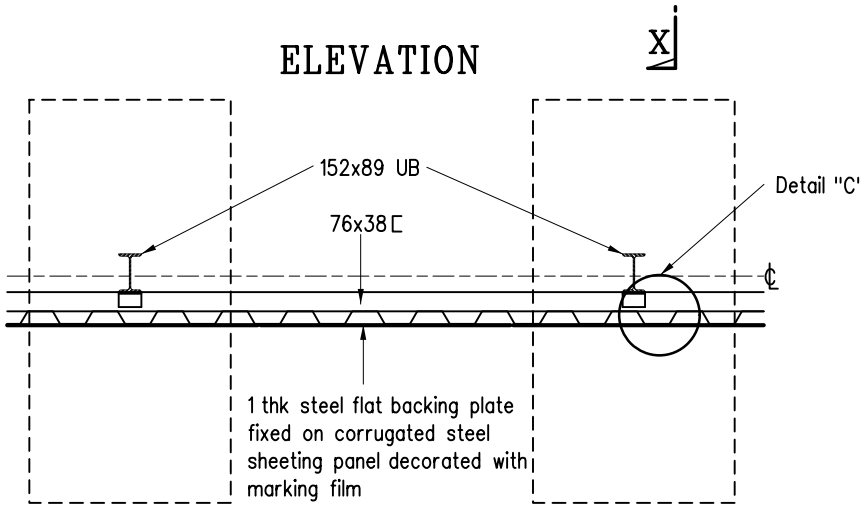


ELEVATION



SECTION X - X



SECTION Y - Y

Notes :

1. All dimensions are in millimetres.
2. For notes, refer to the latest version of HyD Standard Drg. No. 6161A.
3. Where the concrete footing is located in block paved footpath, the footing should be lowered to allow for the paving blocks and the sand course.

A	General revision	Original Signed	Oct 24
	New issue	-	May 10
REF.	REVISION	SIGNATURE	DATE

SITE HOARDINGS FOR
APPLYING GRAPHIC FILM
(SHEET 1 OF 2)

HIGHWAYS DEPARTMENT

REFERENCE

DRAWING No.

CAD

SCALE

1 : 30

H 6160A