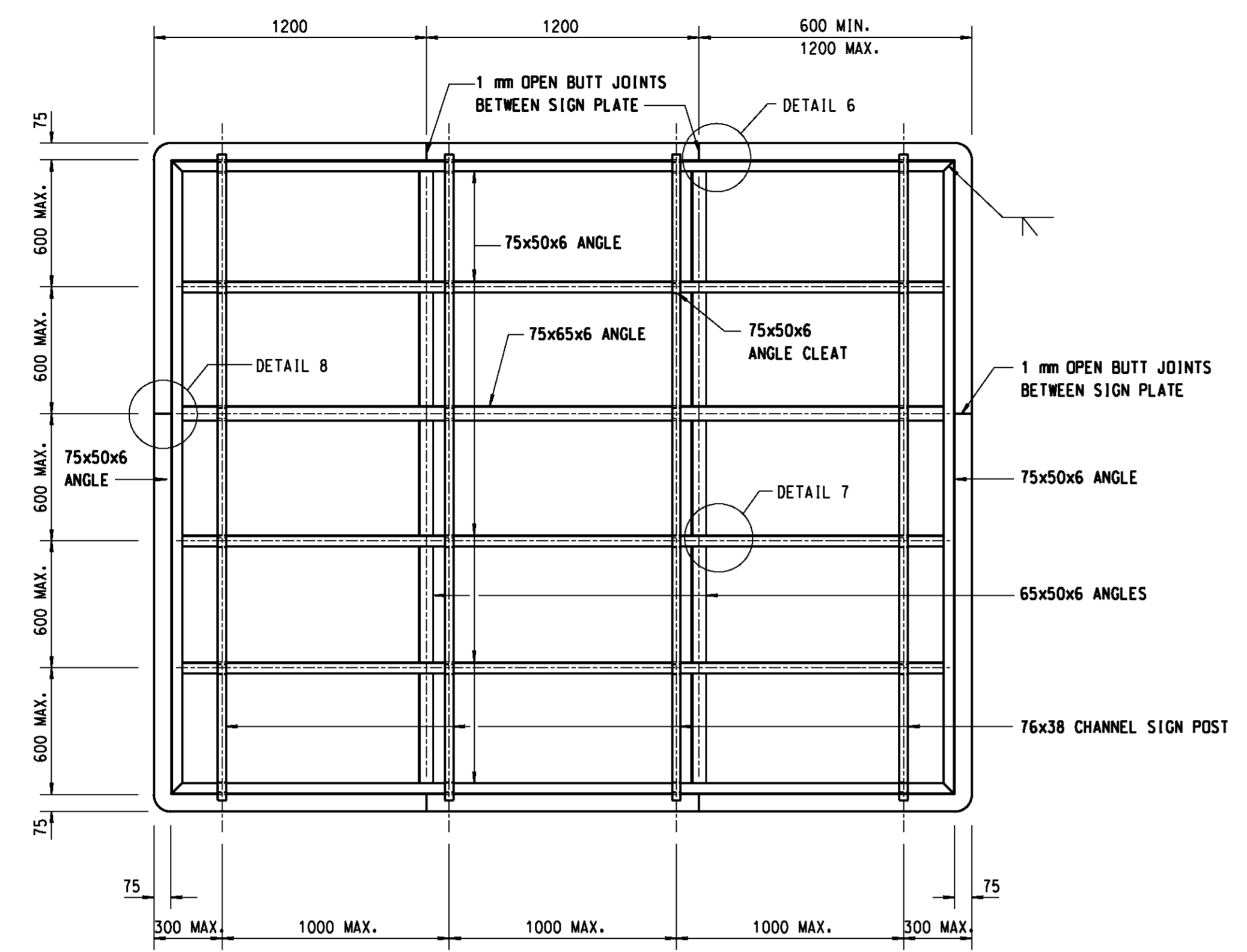
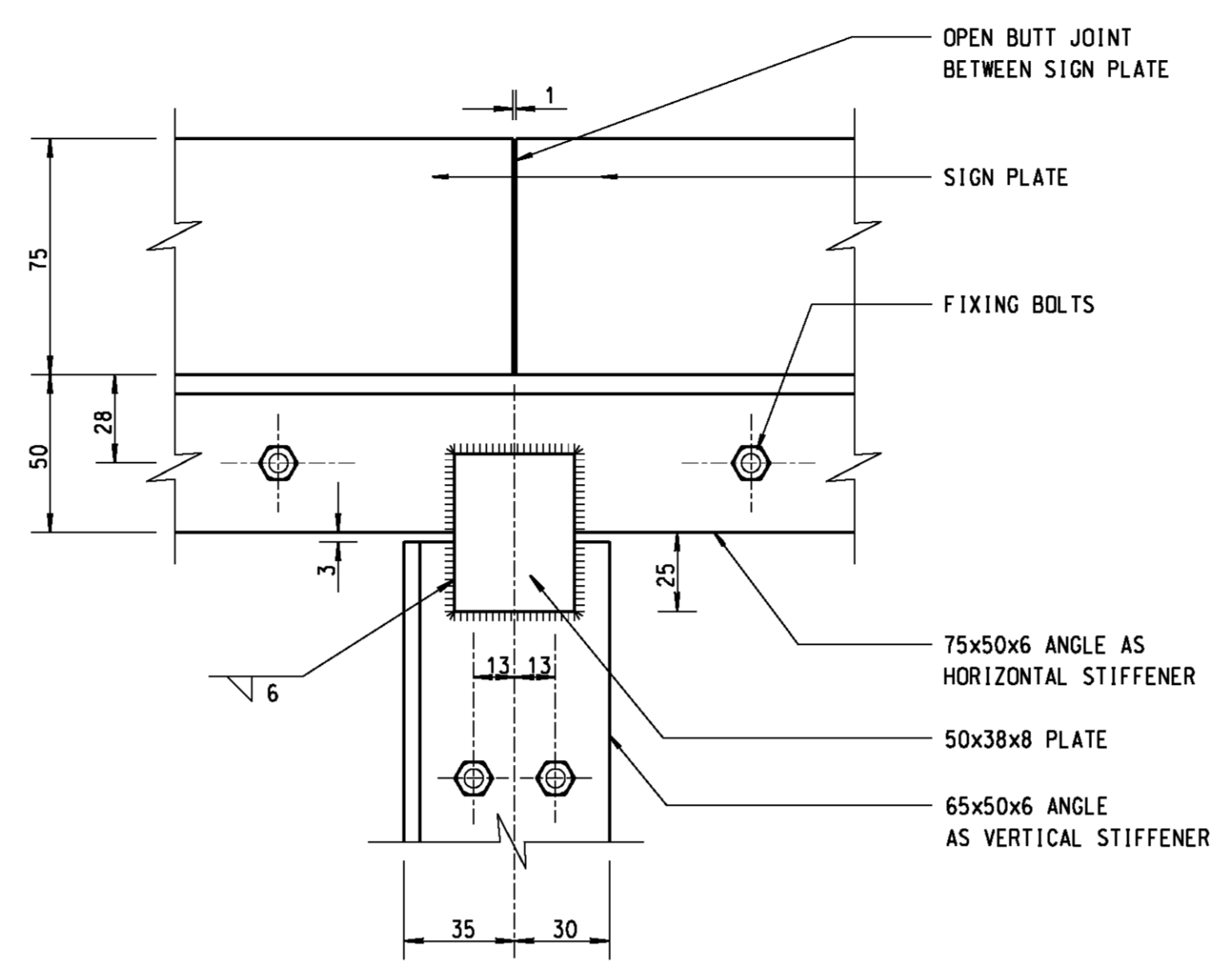


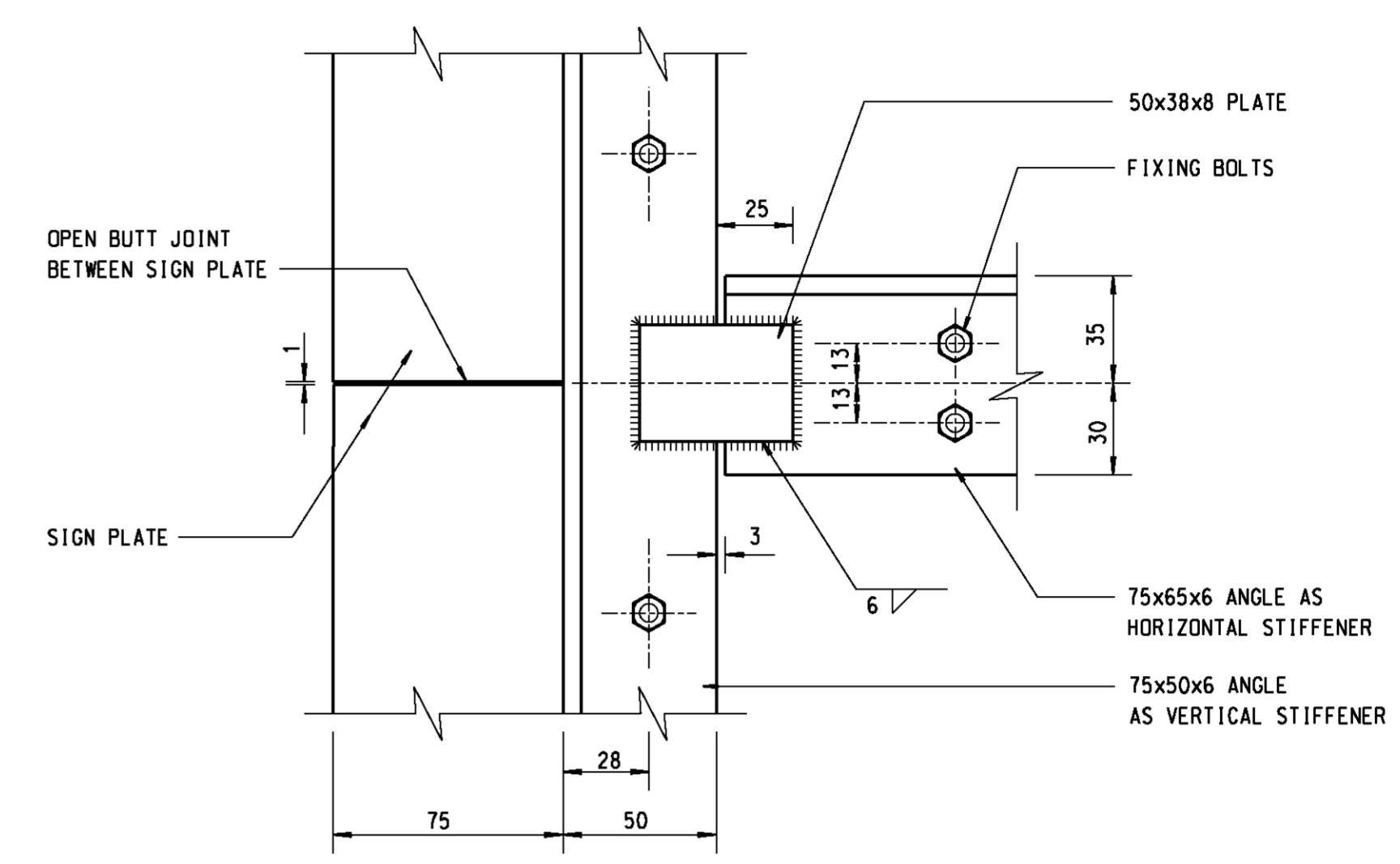
NOTES:
1. THIS DRAWING SHALL BE READ IN CONJUNCTION WITH DRG. NO. SSD153111.



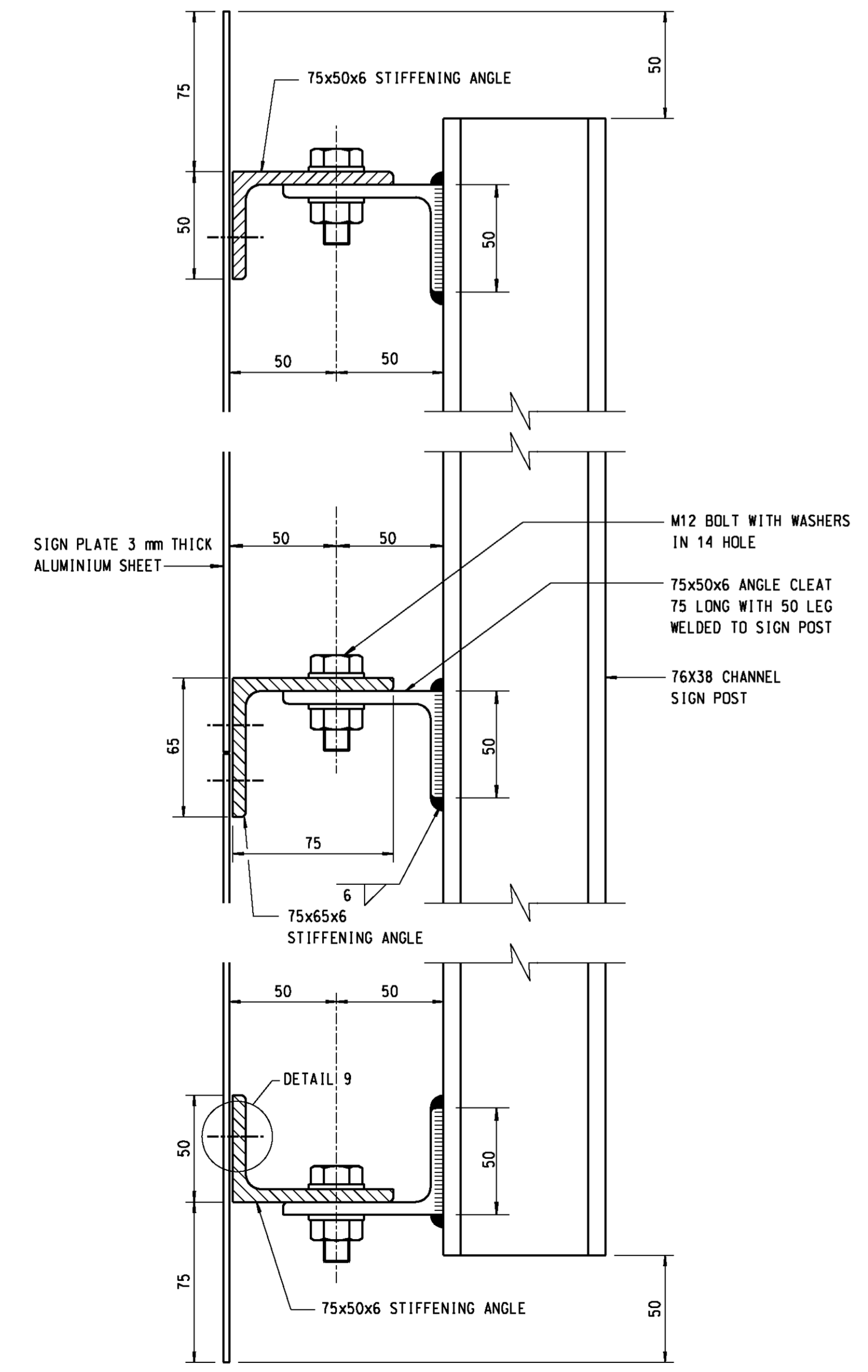
TYPICAL REAR ELEVATION OF SIGN PLATE
SCALE 1:20



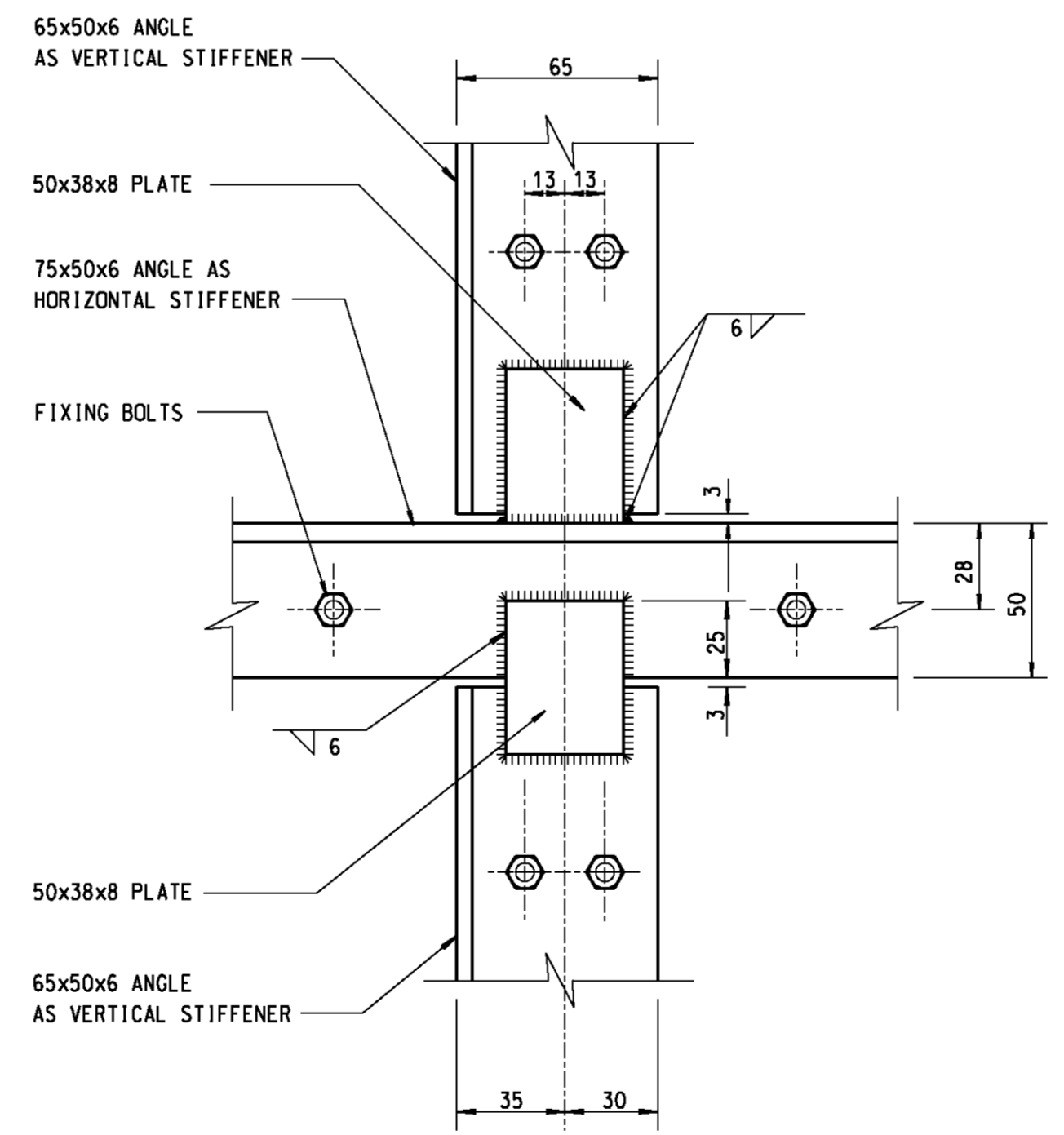
DETAIL 6
SCALE 1:2



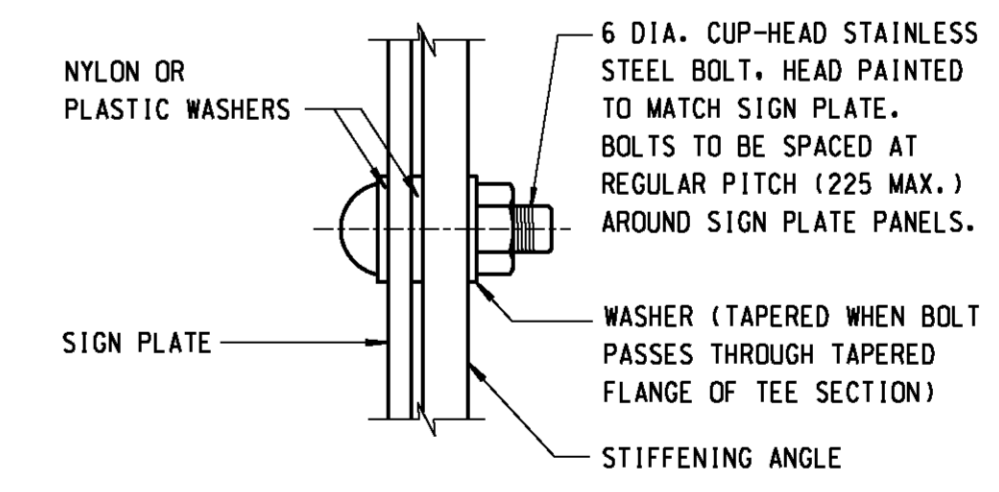
DETAIL 8
SCALE 1:2



TYPICAL CONNECTION OF SIGN PLATE FRAME TO SUPPORTING POSTS
SCALE 1:2



DETAIL 7
SCALE 1:2



DETAIL 9
SCALE 1:1

no.	date	description	initial
REVISION			
		name	signature
designed	T. CHUNG		SIGNED APR 02
drawn	K.K. LAW		SIGNED APR 02
senior technical officer	H.T. TANG		SIGNED MAY 02
project engineer	T. CHUNG		SIGNED MAY 02
senior engineer	W.C. LAU		SIGNED MAY 02

approved
SIGNED P.C. WONG MAY 02
Chief Highway Engineer date

contract no.
file no.
project no.
contract

drawing title
CANTILEVER DIRECTIONAL SIGN
(SHEET 3 OF 5)

drawing no. SSD153 (3)
scale AS SHOWN

office STRUCTURES DIVISION
結 構 部

HIGHWAYS DEPARTMENT HONG KONG
路 政 署