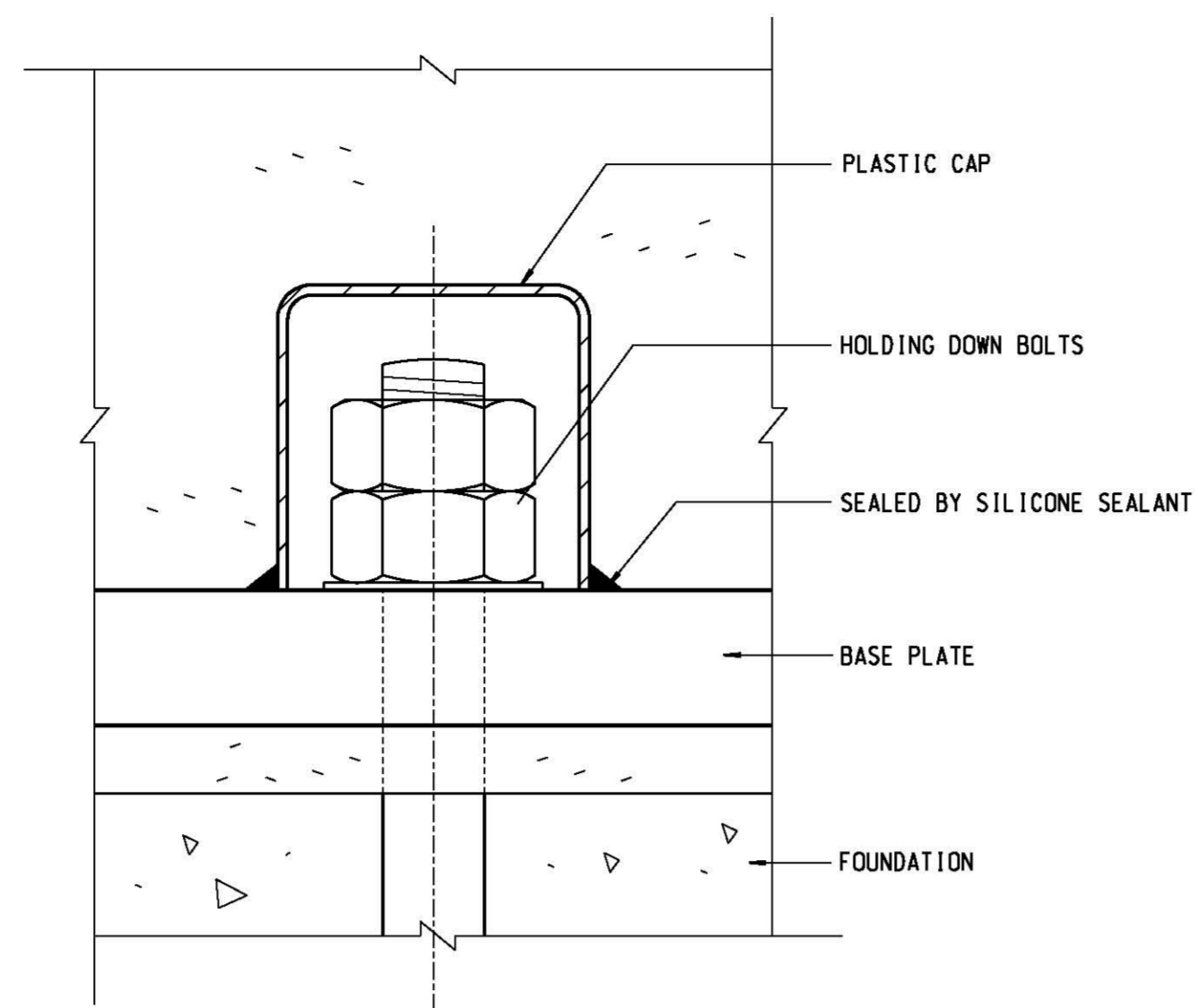


TYPICAL CONNECTION DETAILS OF POLE TO FOUNDATION

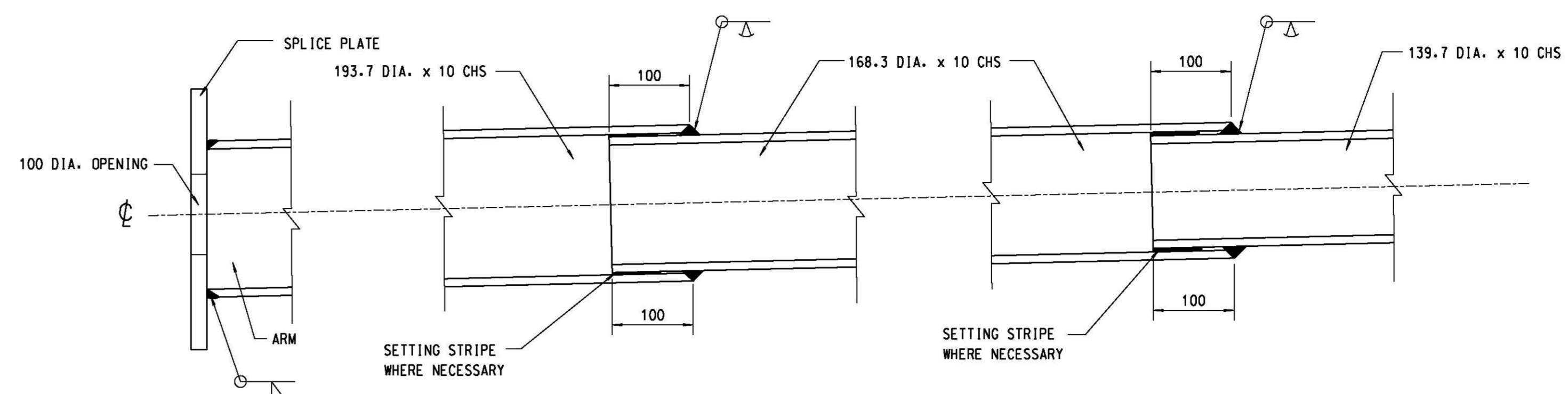
SCALE 1 : 10

(NOTE : * DIMENSIONS FOR POLE SIZE 323.9mm DIA.)



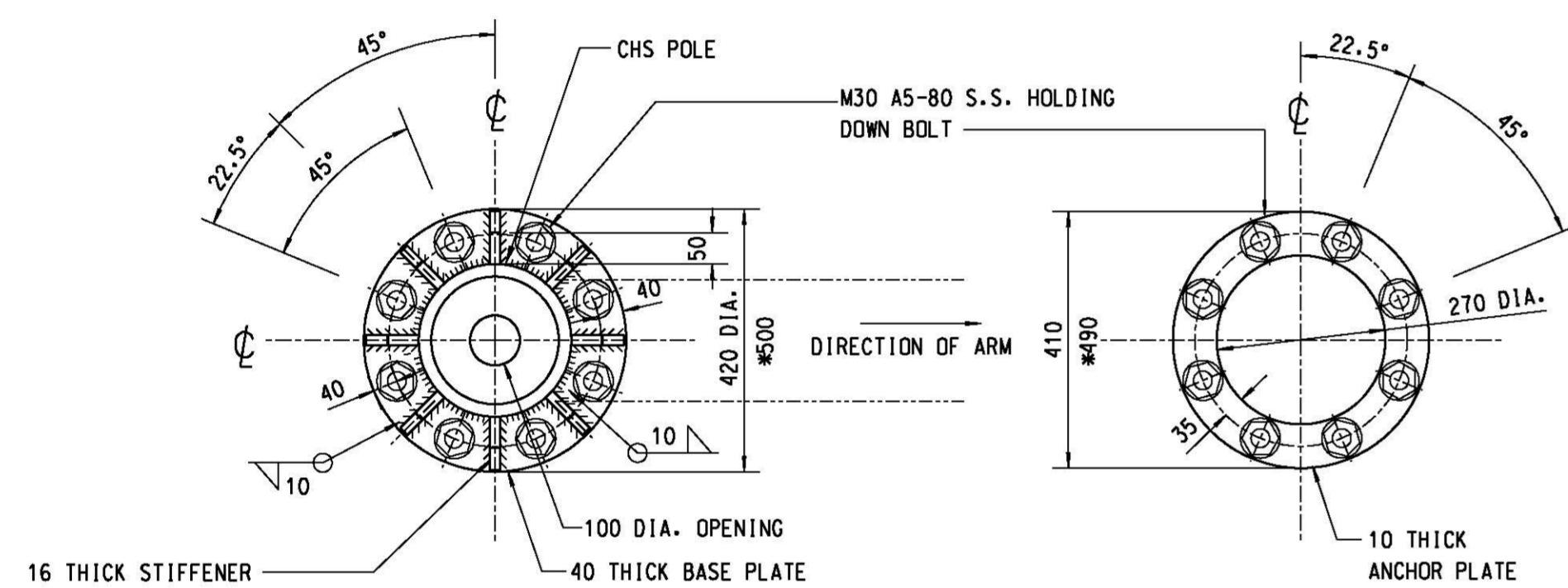
ENLARGEMENT DETAILS OF PLASTIC CAP

SCALE 1 : 2



CONNECTION DETAILS OF ARM

SCALE 1 : 5



SECTION D-D

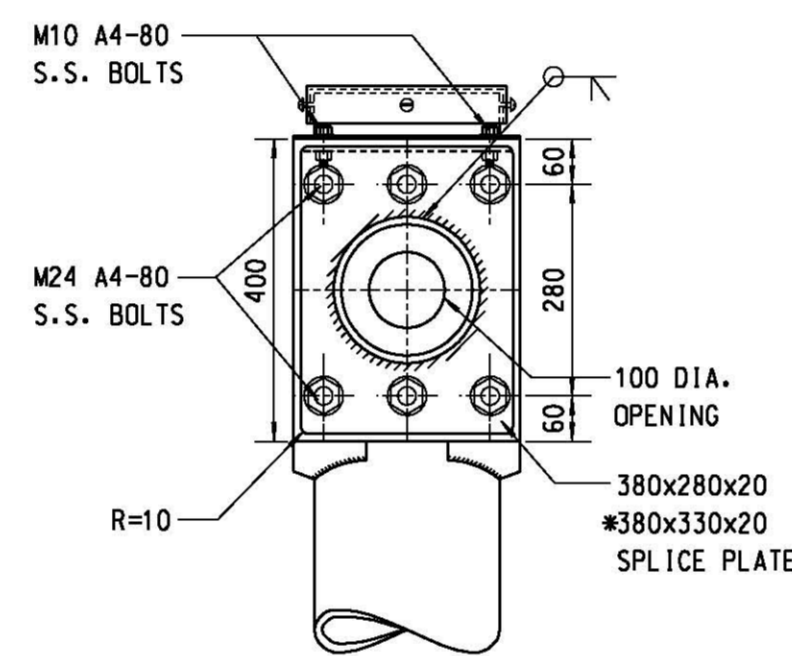
SCALE 1 : 10

(NOTE : * DIMENSIONS FOR POLE SIZE 323.9mm DIA.)

SECTION E-E

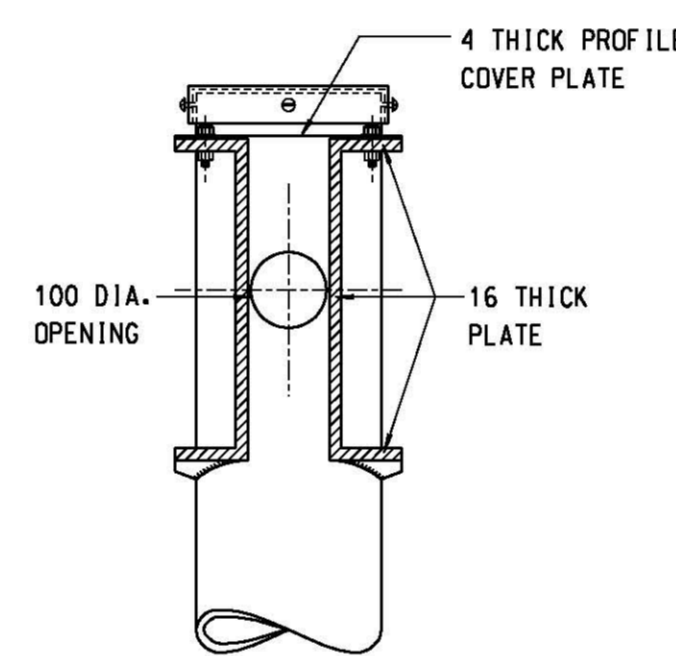
SCALE 1 : 10

(NOTE : * DIMENSIONS FOR POLE SIZE 323.9mm DIA.)



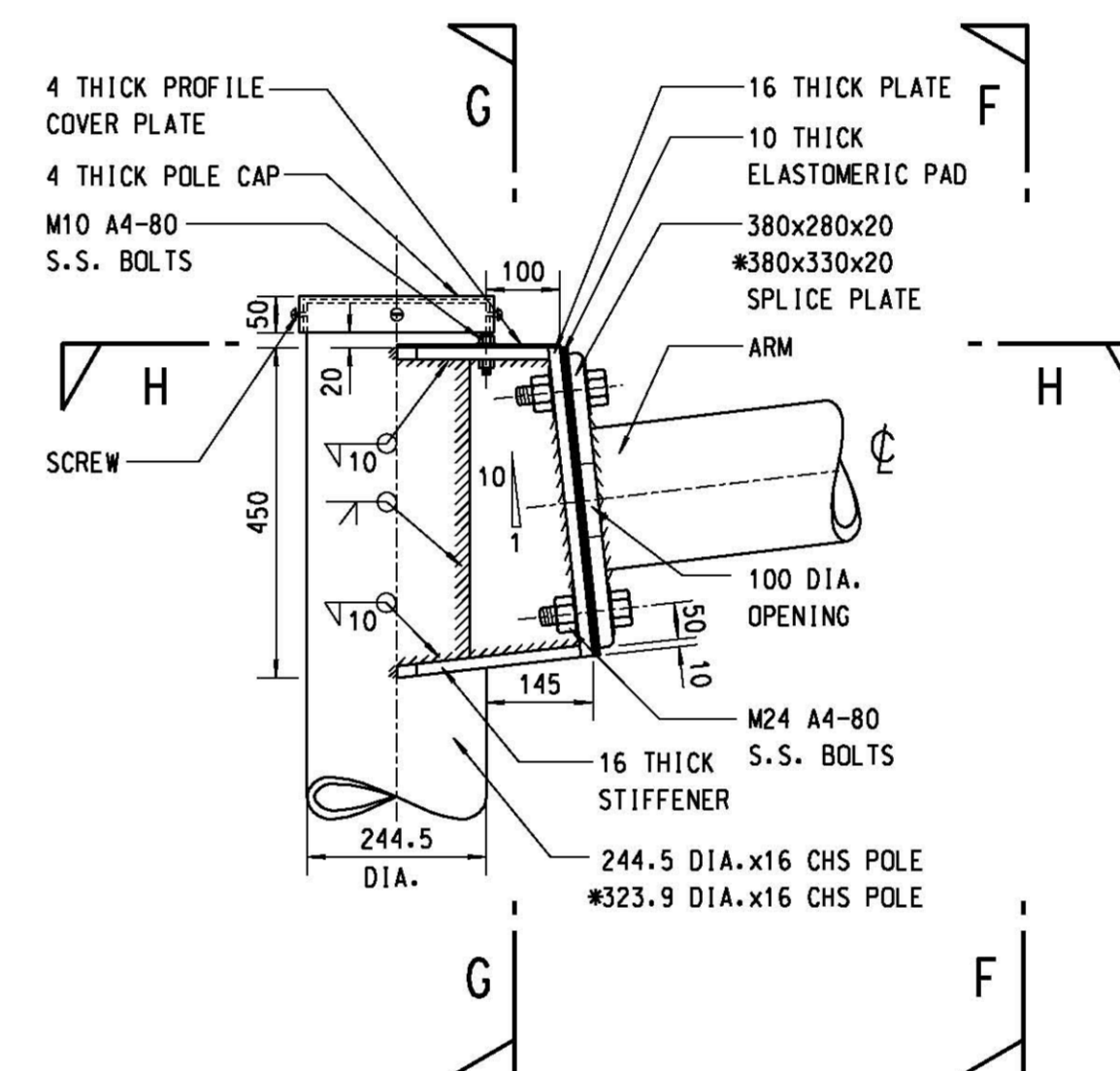
SECTION F-F

SCALE 1 : 10



SECTION G-G

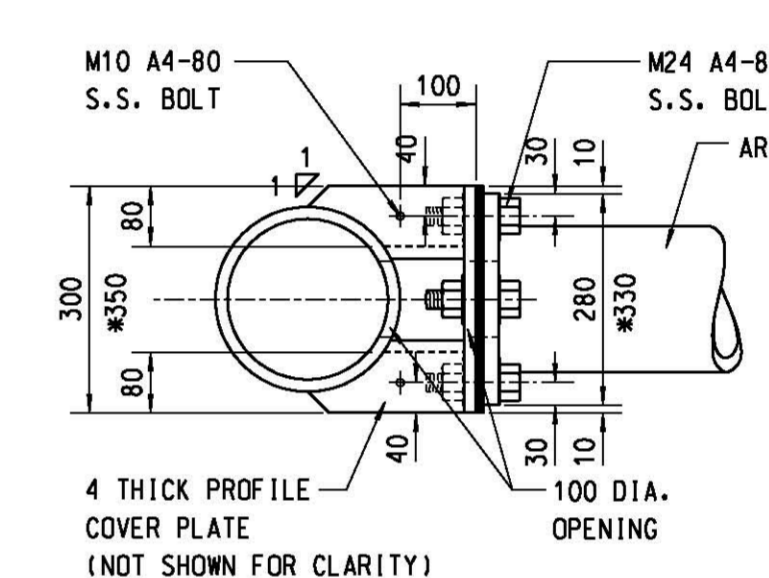
SCALE 1 : 10



CONNECTION DETAILS OF ARM TO POLE

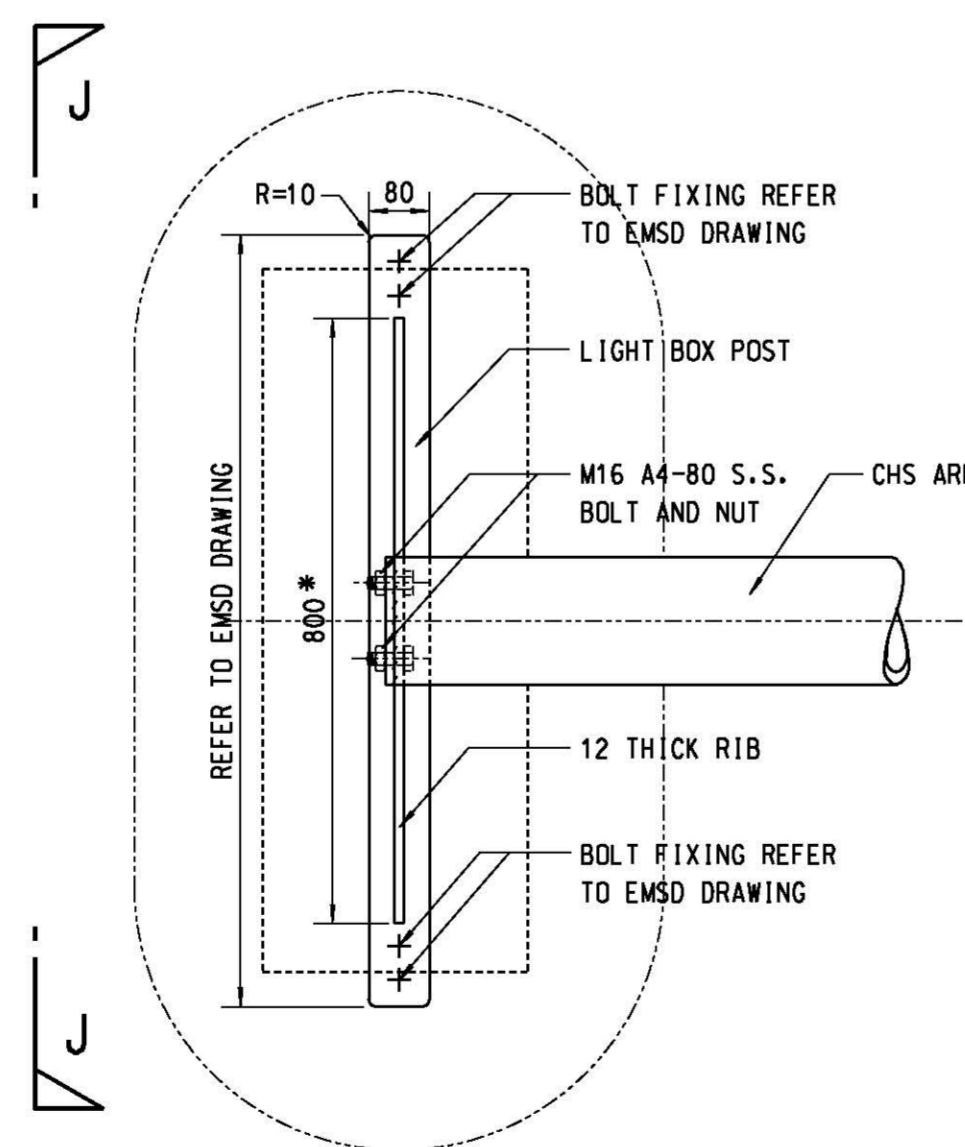
SCALE 1 : 10

(NOTE : * DIMENSIONS FOR POLE SIZE 323.9mm DIA.)



SECTION H-H

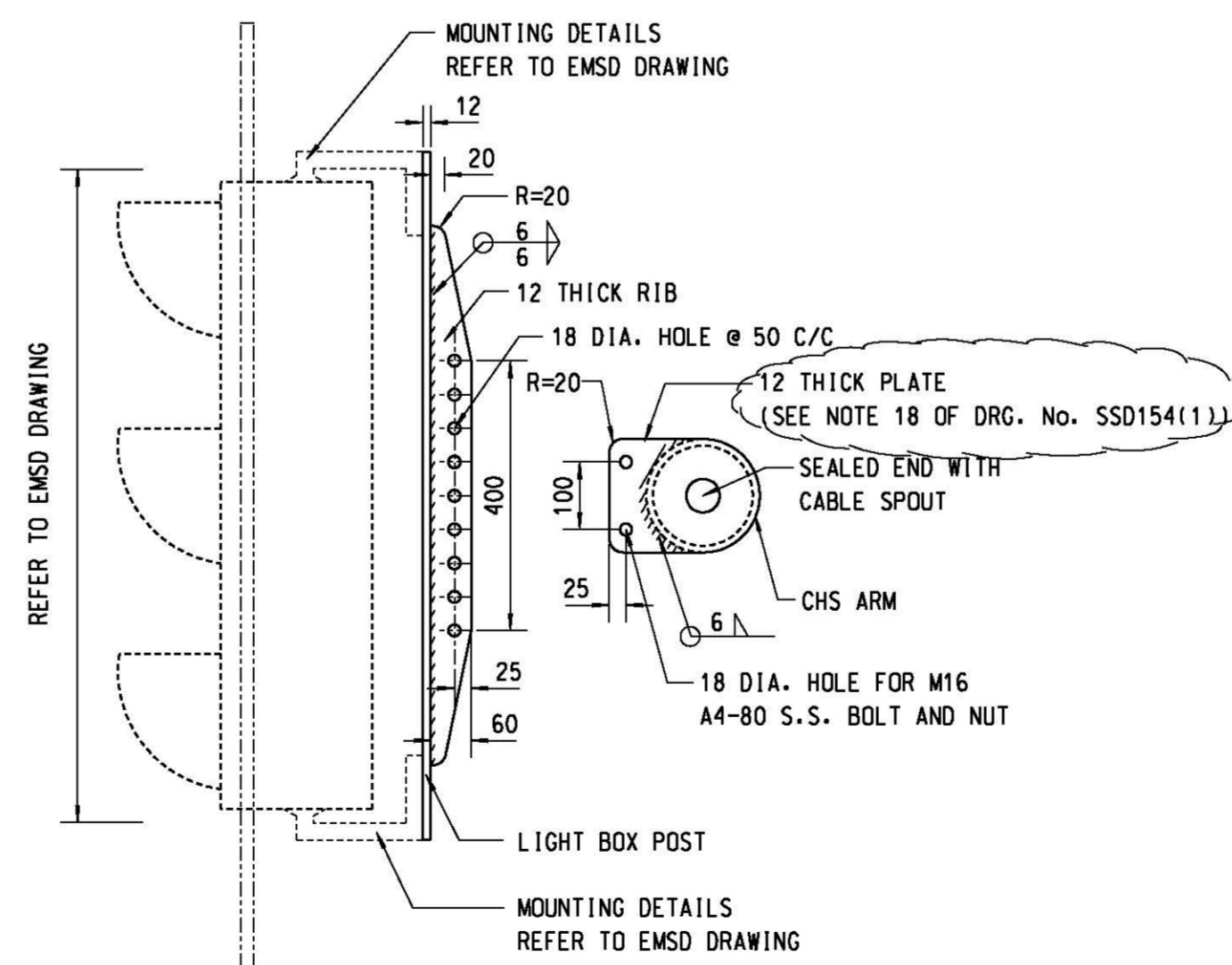
SCALE 1 : 10



TYPICAL CONNECTION DETAILS OF TRAFFIC LIGHT & BACKING PLATE SUPPORT CONNECT TO ARM

SCALE 1 : 10

(NOTE : * TO BE ADJUSTED WITH RESPECT TO SIZE OF TRAFFIC LIGHT BOX)



ELEVATION J-J

SCALE 1 : 10

NOTES:
1. FOR GENERAL NOTES, SEE DRG. No. SSD154(1)

no.	date	description	Initial
A	04/06	NOTE ADDED TO ELEVATION H-H	SIGNED K.W. WONG/E/P1-1 SIGNED A. YUEN/SE/P1

name	signature	date
designed	T. CHUNG	SIGNED JUN 02
drawn	K. L. HO	SIGNED JUN 02
senior technical officer	H. T. TANG	SIGNED JUN 02
project engineer	T. CHUNG	SIGNED JUN 02
senior engineer	W. C. LAU	SIGNED JUN 02

approved	SIGNED P.C. WONG Chief Highway Engineer	12 JUN 02 date
contract no.		
file no.		
project no.		
contract		

drawing title
OVERHEAD TRAFFIC LIGHT SIGNAL
(SHEET 2 OF 2)

drawing no.	scale
SSD154(2)A	AS SHOWN

office
STRUCTURES DIVISION

