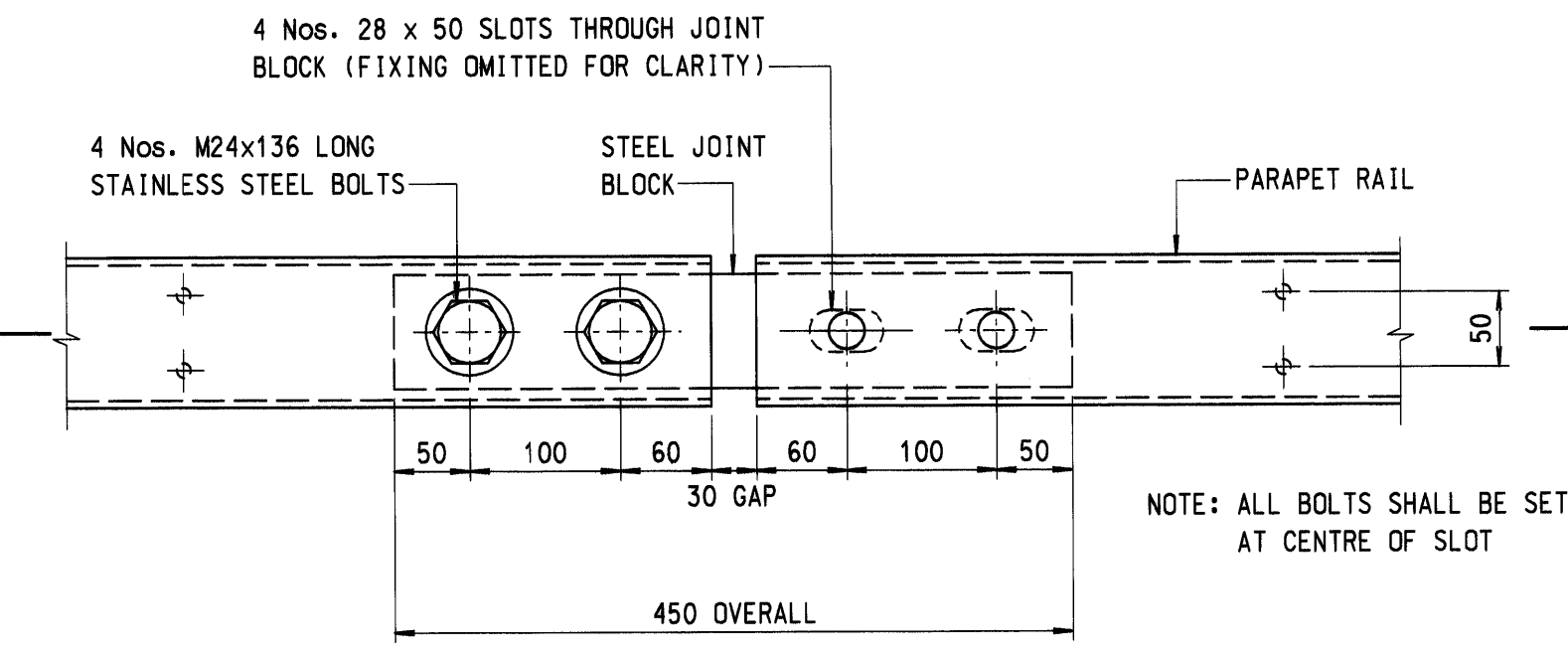
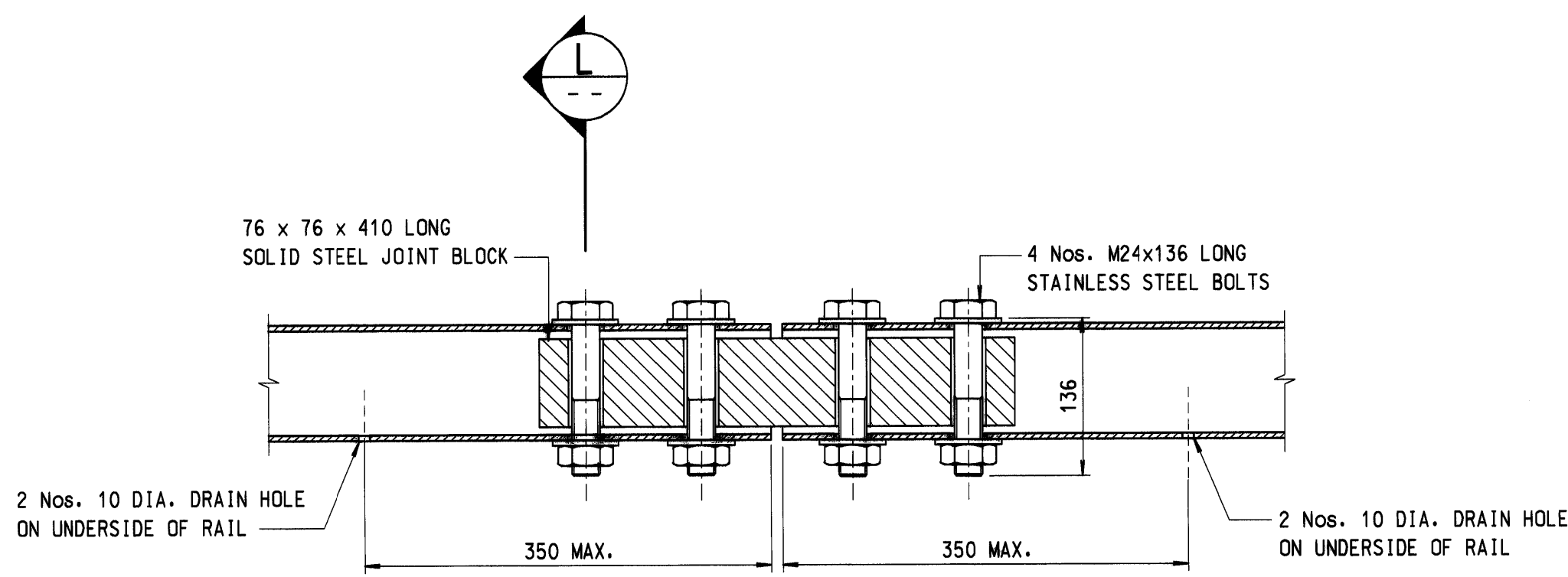
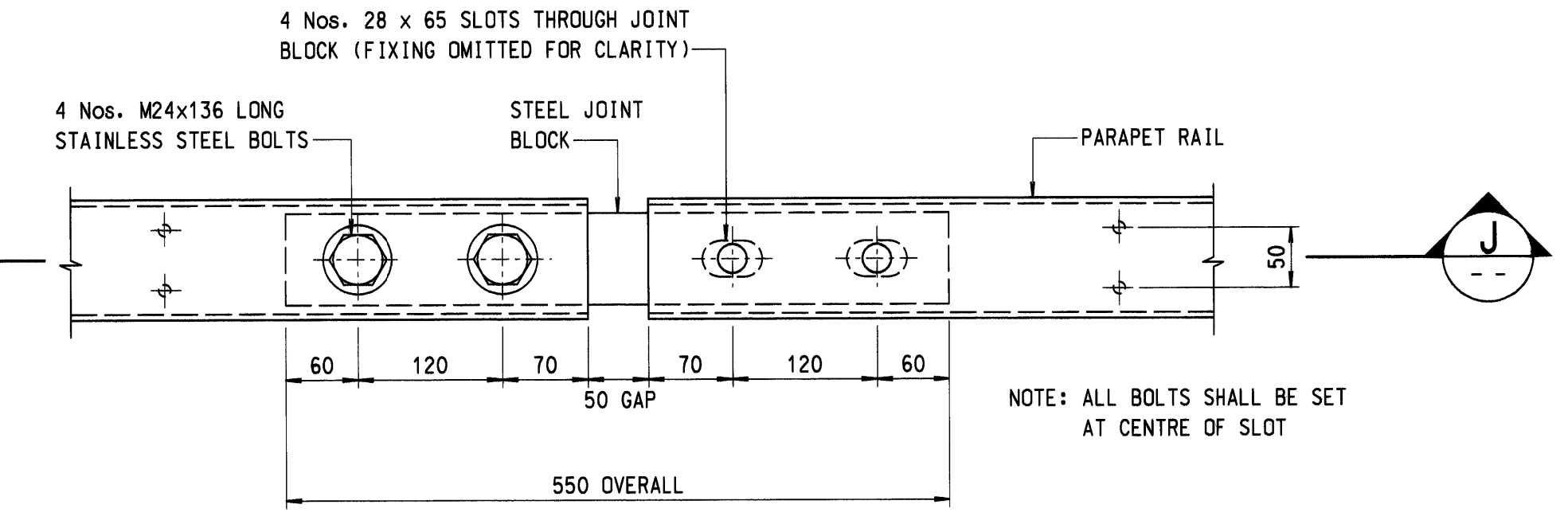
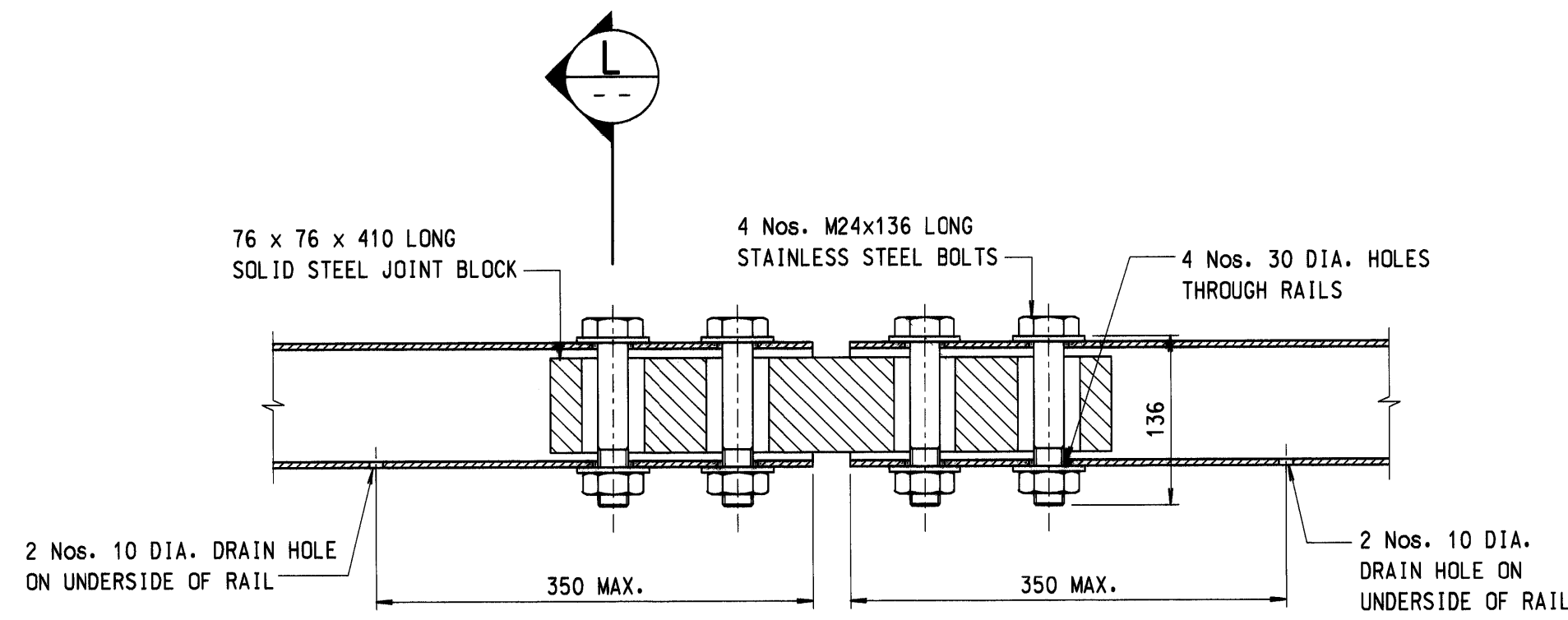


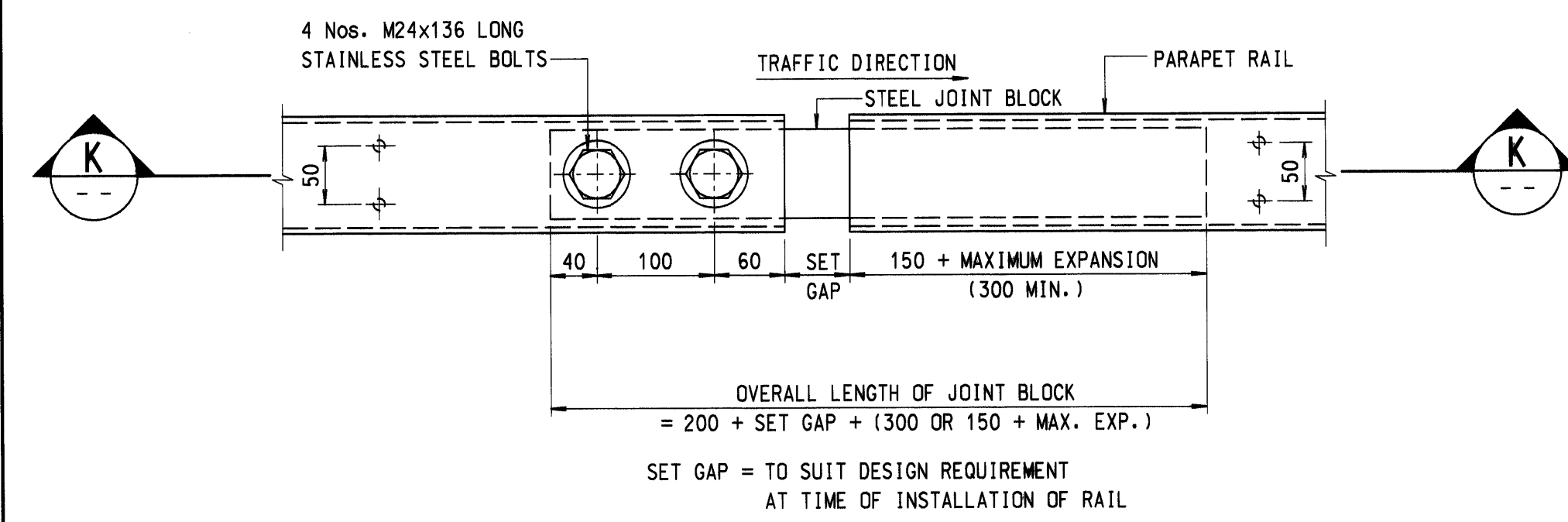
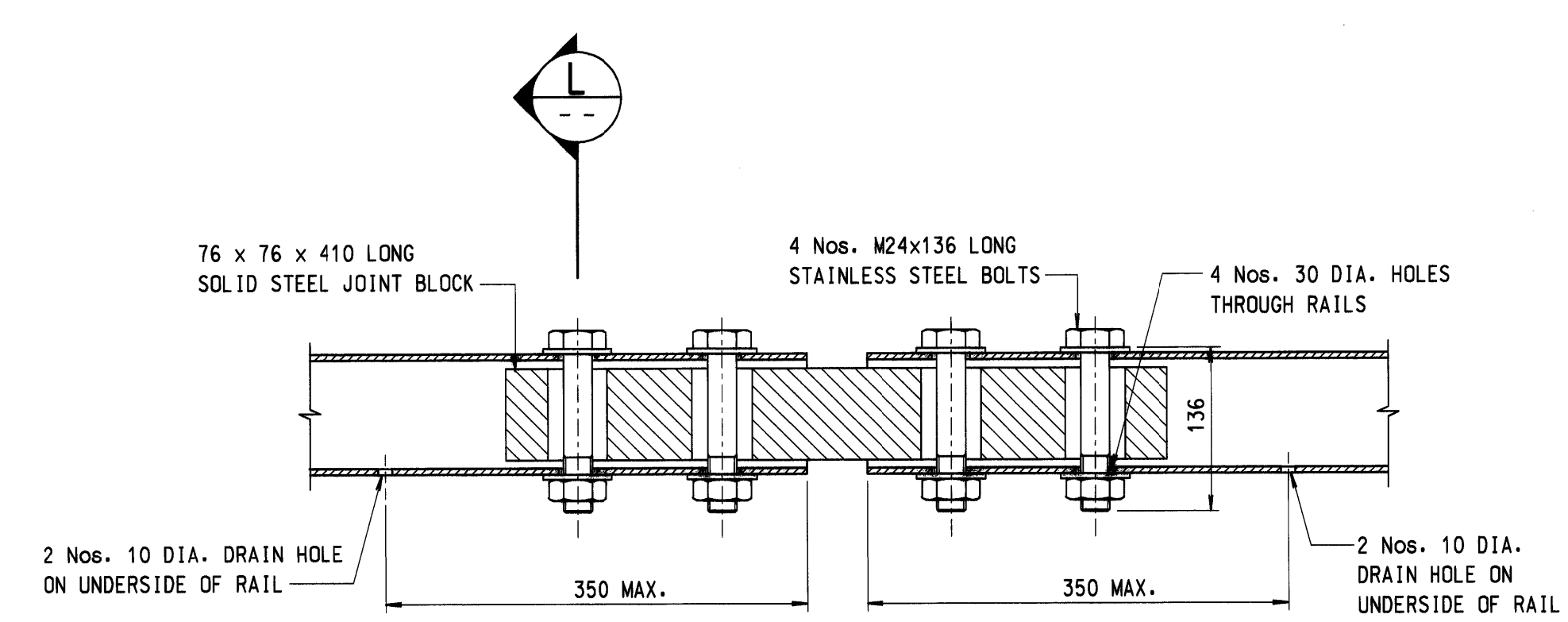
PLAN OF RAIL JOINT TYPE I
SCALE 1:5



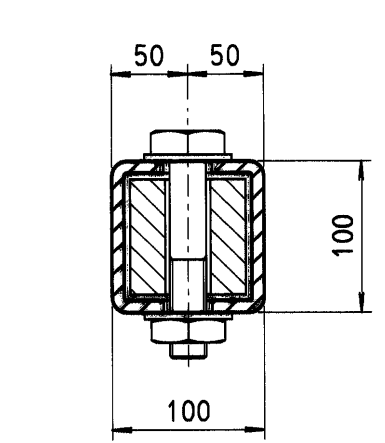
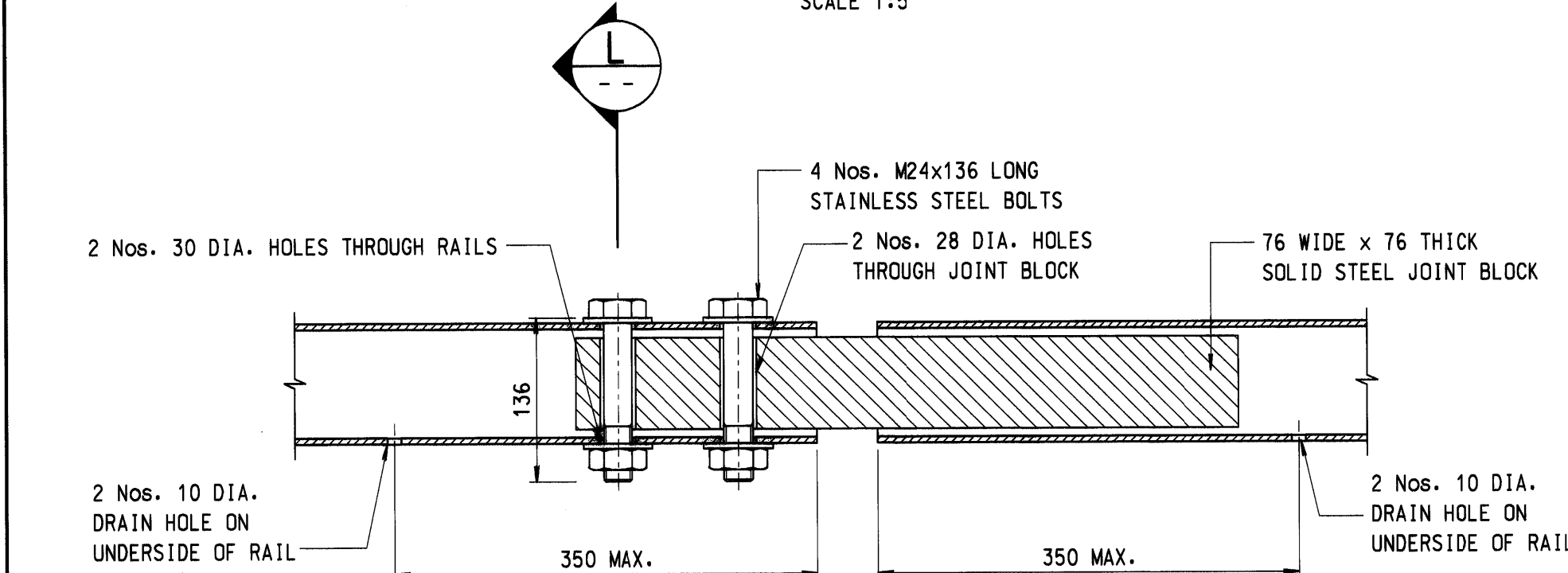
PLAN OF RAIL JOINT TYPE II
FOR MOVEMENT RANGES $\leq \pm 25$ mm
SCALE 1:5



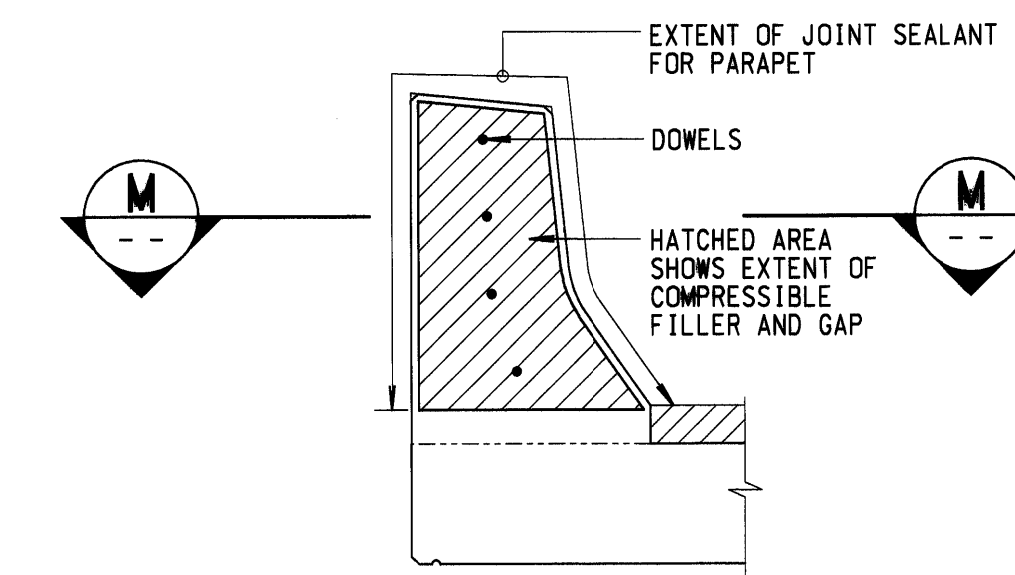
PLAN OF RAIL JOINT TYPE IIIA
FOR MOVEMENT RANGES $> \pm 25$ mm AND $\leq \pm 40$ mm
SCALE 1:5



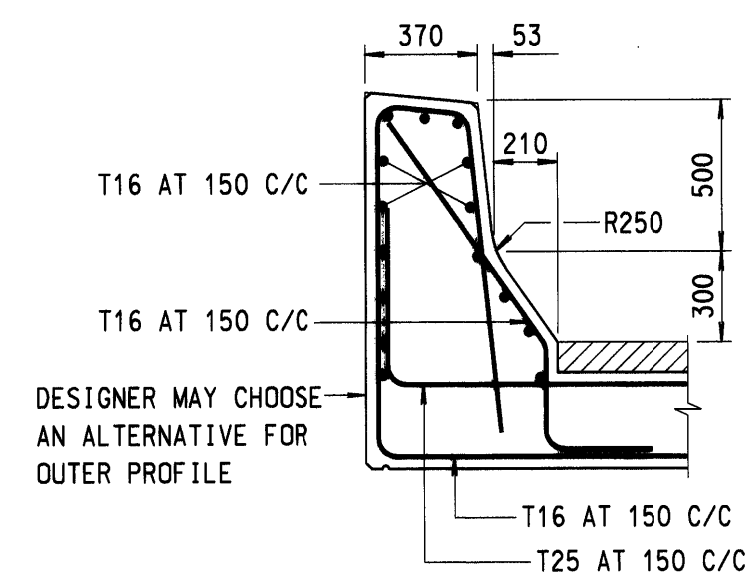
PLAN OF RAIL JOINT TYPE IIIB
FOR MOVEMENT RANGES $> \pm 40$ mm
SCALE 1:5



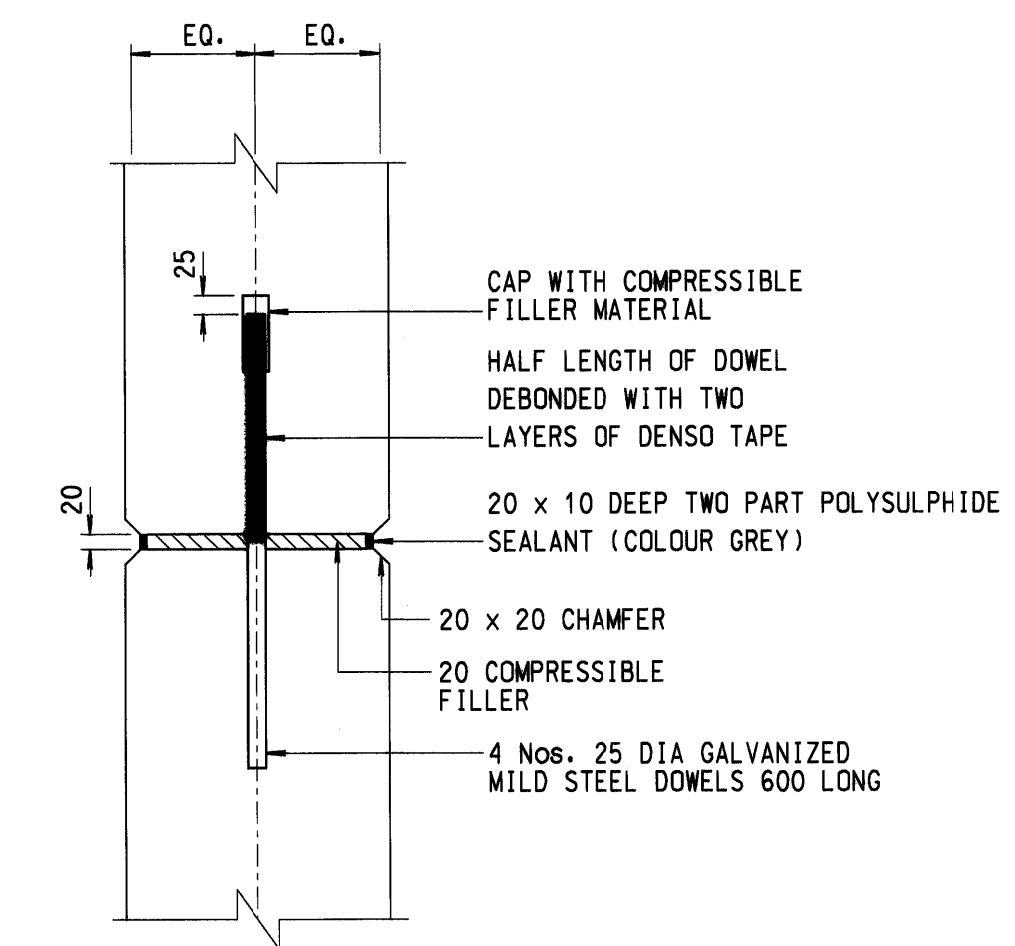
SECTION L
SCALE 1:5



TYPICAL VERTICAL CONCRETE JOINT
SCALE 1:20



REINFORCEMENT DETAIL OF CONCRETE PARAPET WITH MINIMUM REINFORCEMENT (INDICATIVE ONLY)
SCALE 1:25



SECTION M
SCALE 1:10

NOTES:
1. FOR NOTES SEE DRAWING No. SSD161(1)

no.	date	description	initial
REVISION			
designed	K.W. MO	<i>Jim</i>	06/07
drawn	T.W. LAM	<i>Ben</i>	07/07
senior technical officer	S.F. CHAN	<i>SFC</i>	07/07
project engineer	K.W. MO	<i>Jim</i>	08/07
senior engineer	C.K. CHAN	<i>Alan</i>	08/07
approved	<i>P.K. Lee</i>	9/8/07	date
P. K. LEE Chief Highway Engineer			

contract no.	
file no.	
project no.	
contract	

drawing title
L3 COMBINED DOUBLE RAIL CONCRETE PARAPET (TYPE PEN)
(SHEET 2 OF 2)

drawing no.	scale
SSD161(2)	AS SHOWN

office
BRIDGES AND STRUCTURES DIVISION

