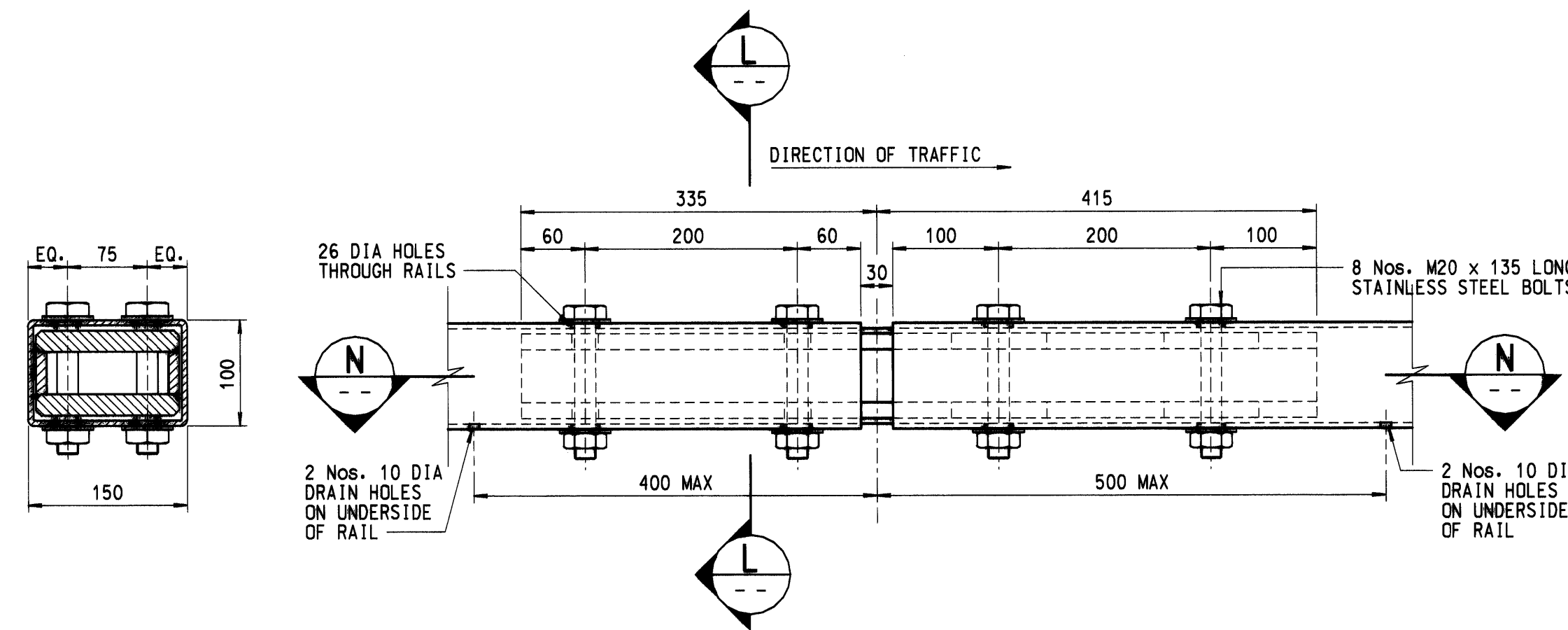
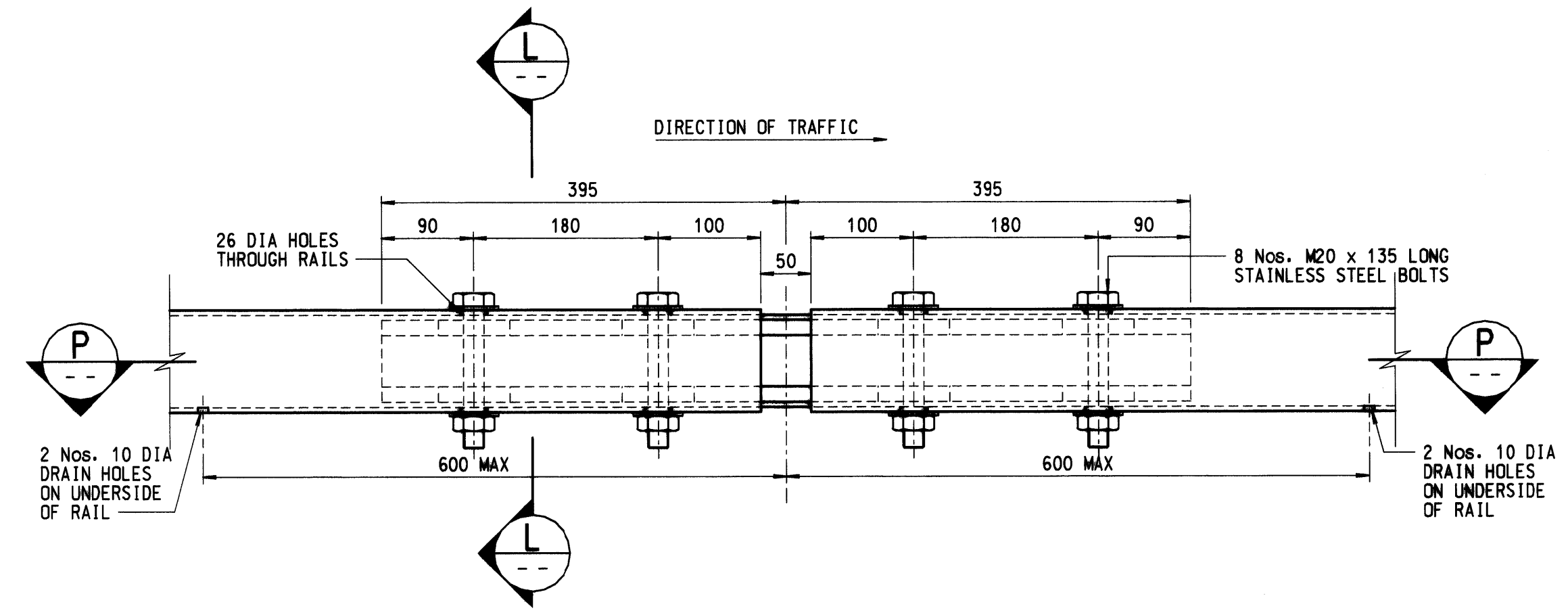


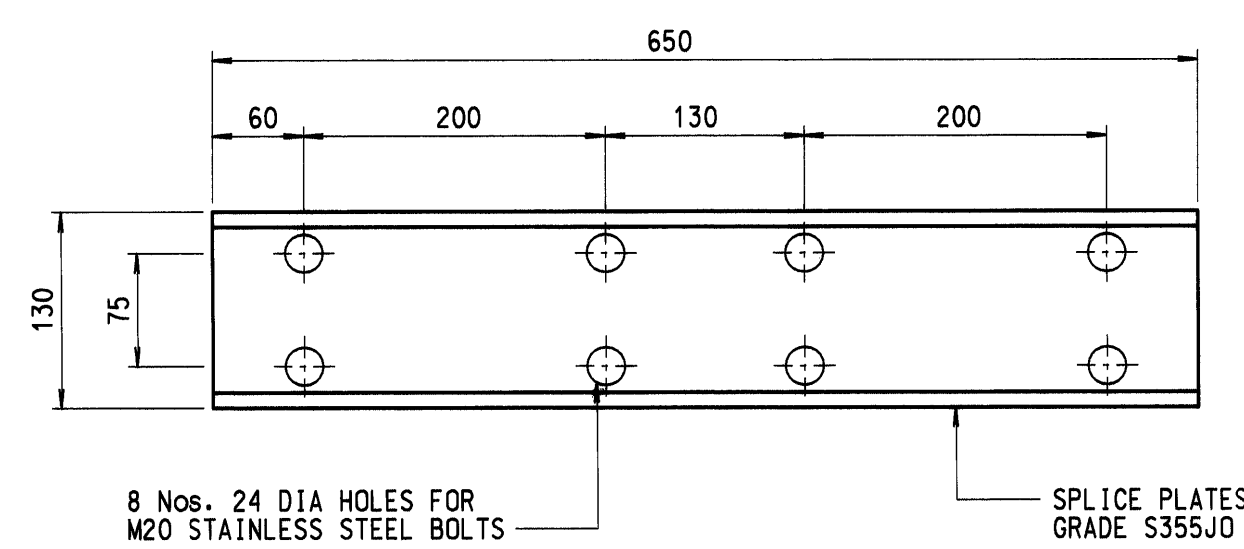
ELEVATION OF RAIL JOINT TYPE I  
SCALE 1:5



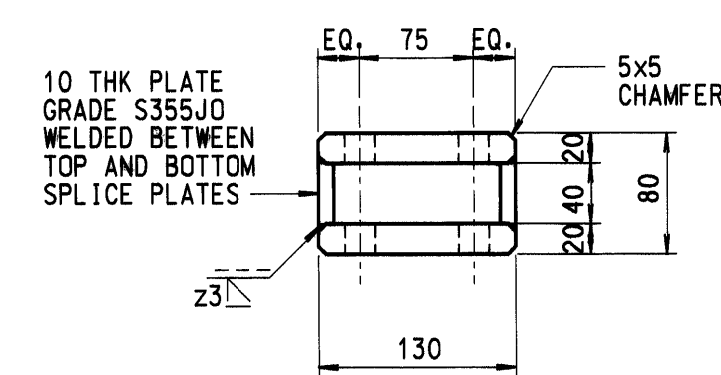
ELEVATION OF RAIL JOINT TYPE II  
SCALE 1:5  
(AT BRIDGE MOVEMENT JOINTS WITH MOVEMENT RANGE  $\leq \pm 25$ mm)



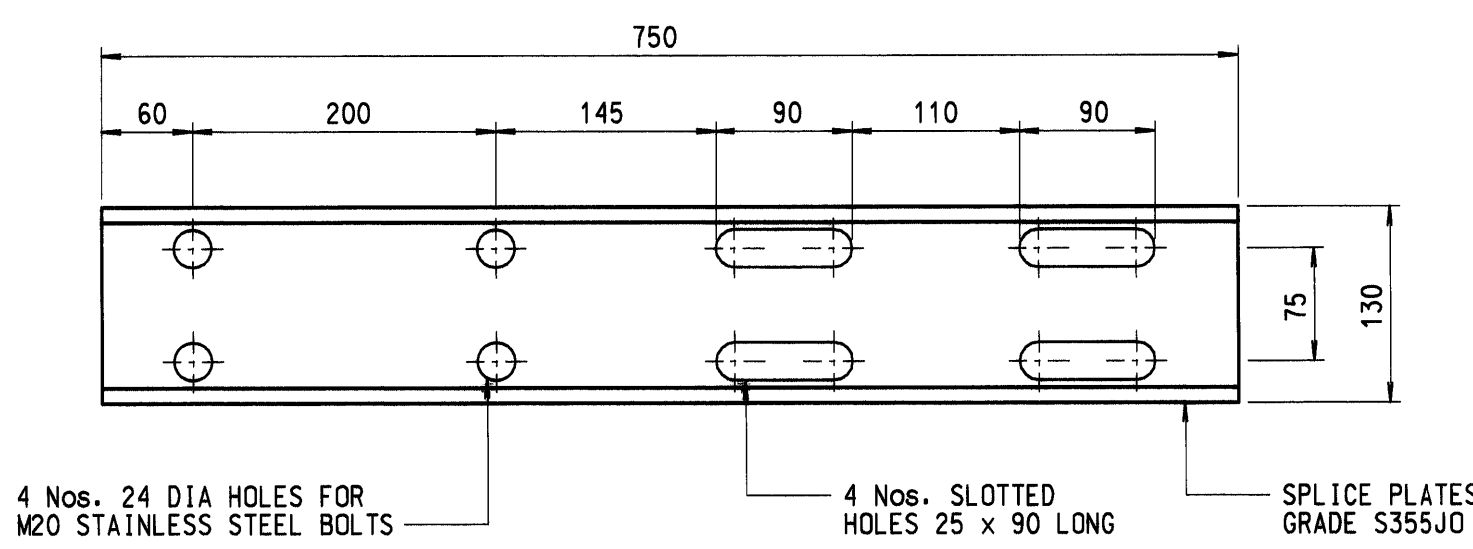
ELEVATION OF RAIL JOINT TYPE IIIA  
SCALE 1:5  
(AT BRIDGE MOVEMENT JOINTS WITH MOVEMENT RANGE  $> \pm 25$  mm AND  $\leq \pm 40$  mm)



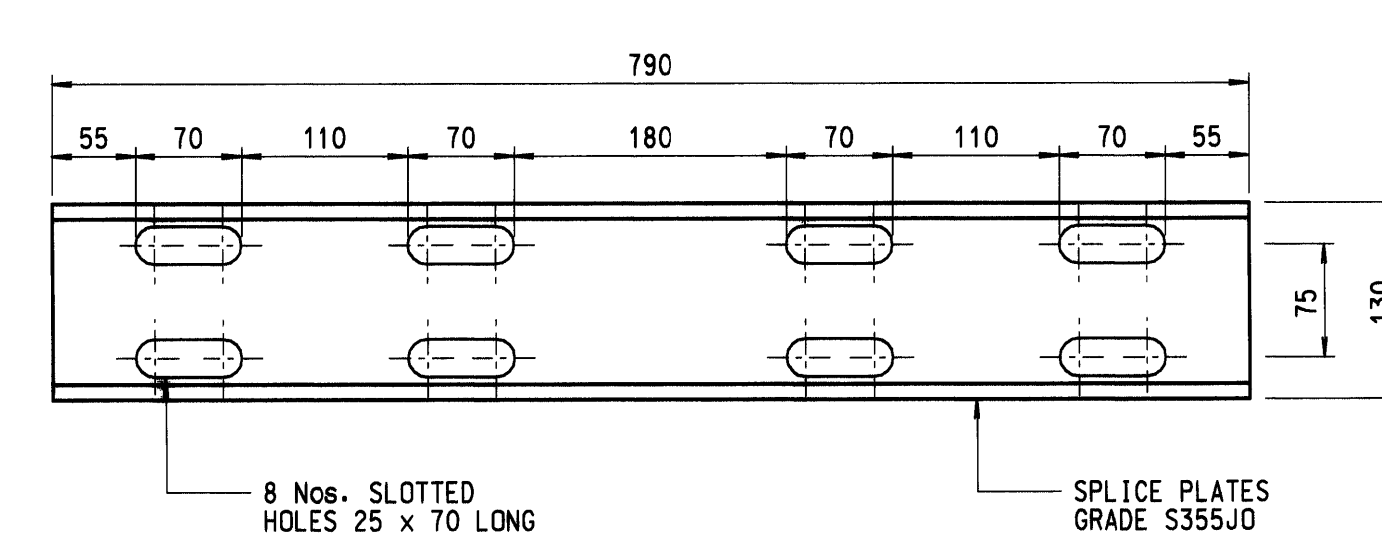
SECTION M  
SCALE 1:5  
(SPLICE PLATES)



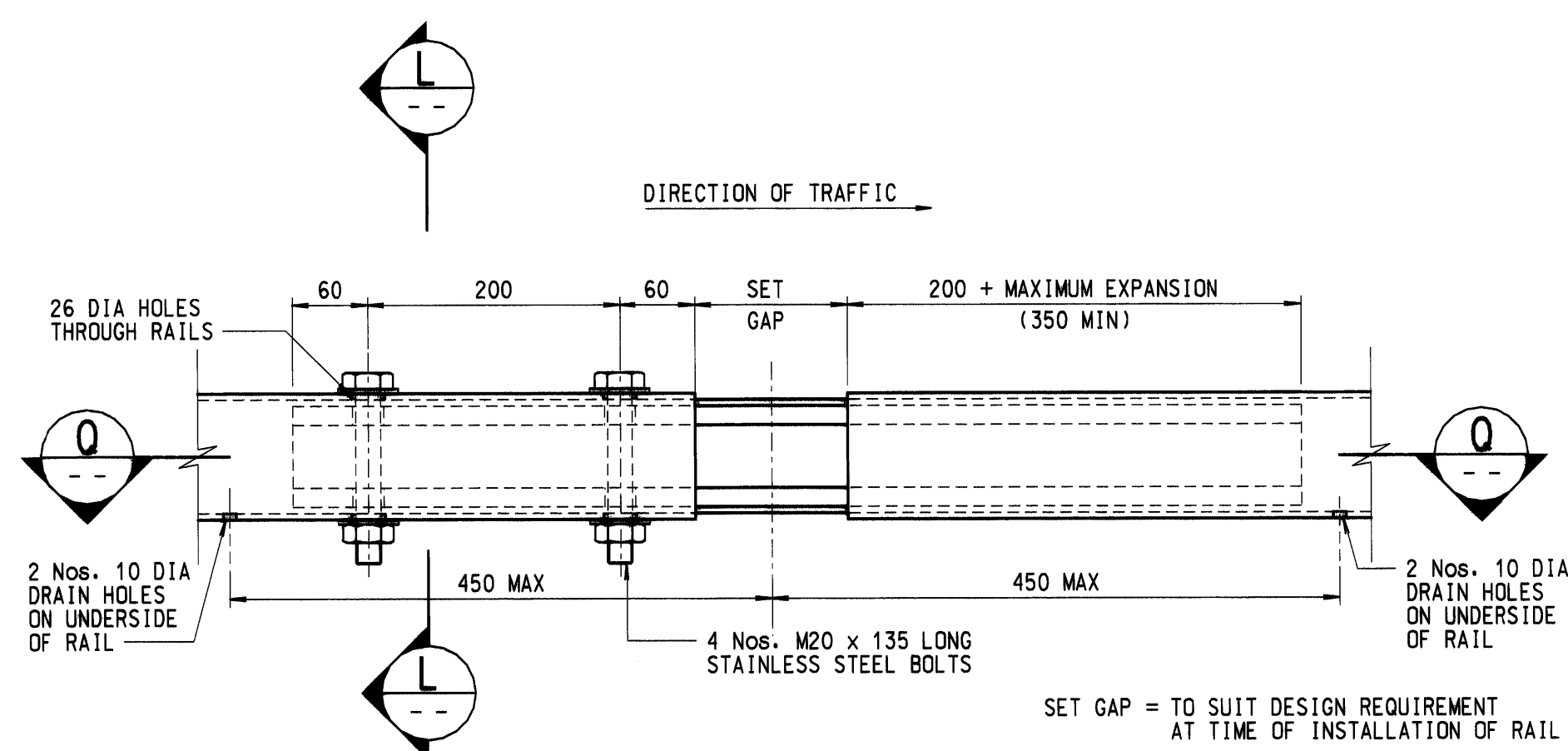
SECTION L  
SCALE 1:5  
(SPLICE PLATES)



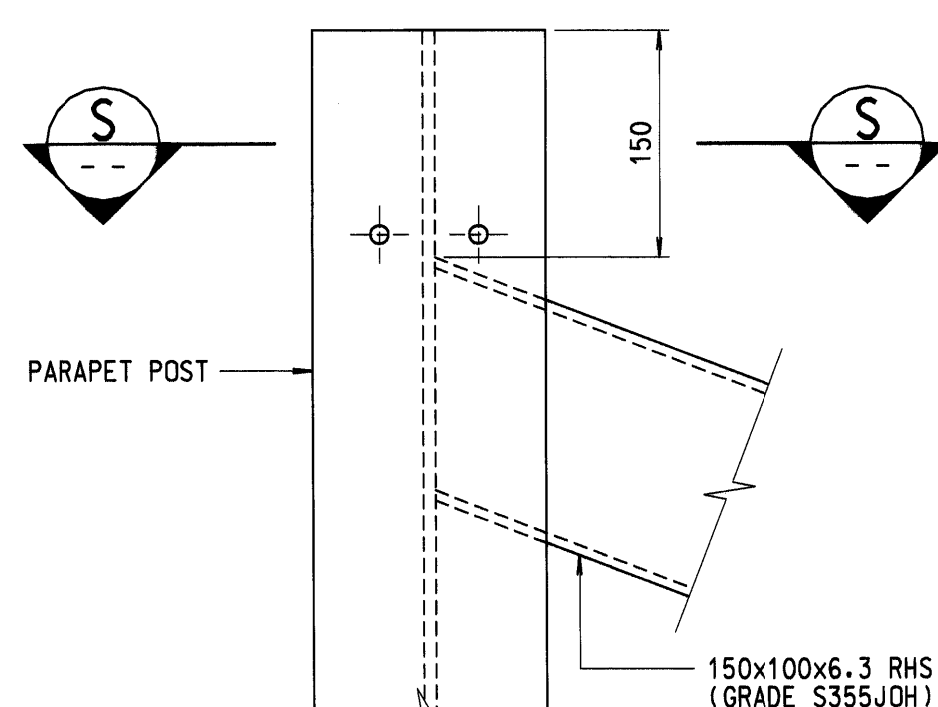
SECTION N  
SCALE 1:5  
(SPLICE PLATES)



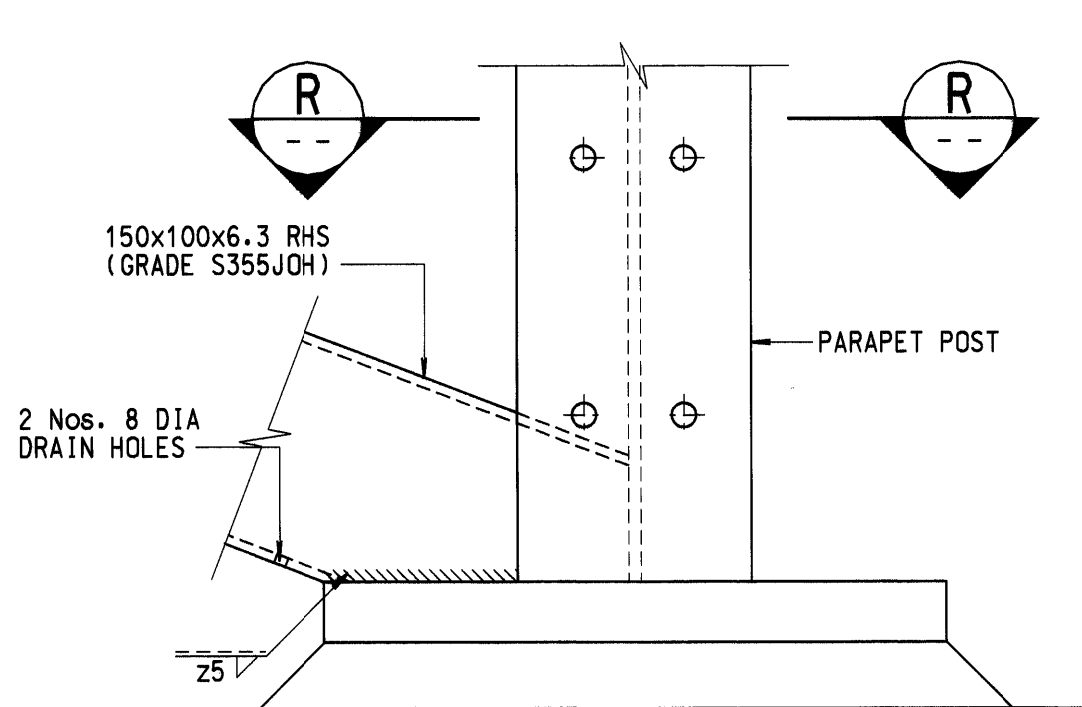
SECTION P  
SCALE 1:5  
(SPLICE PLATES)



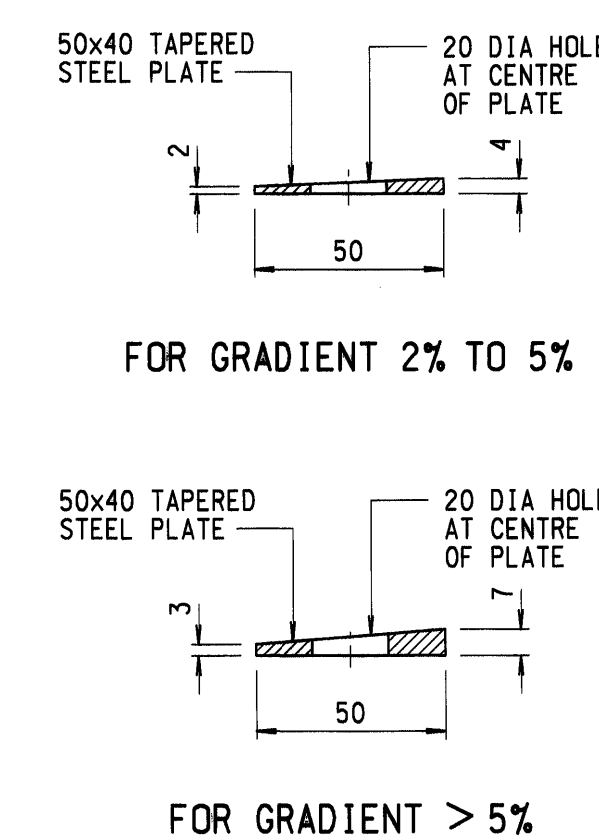
ELEVATION OF RAIL JOINT TYPE IIIB  
SCALE 1:5  
(AT BRIDGE MOVEMENT JOINTS WITH MOVEMENT RANGE  $> \pm 40$ mm)



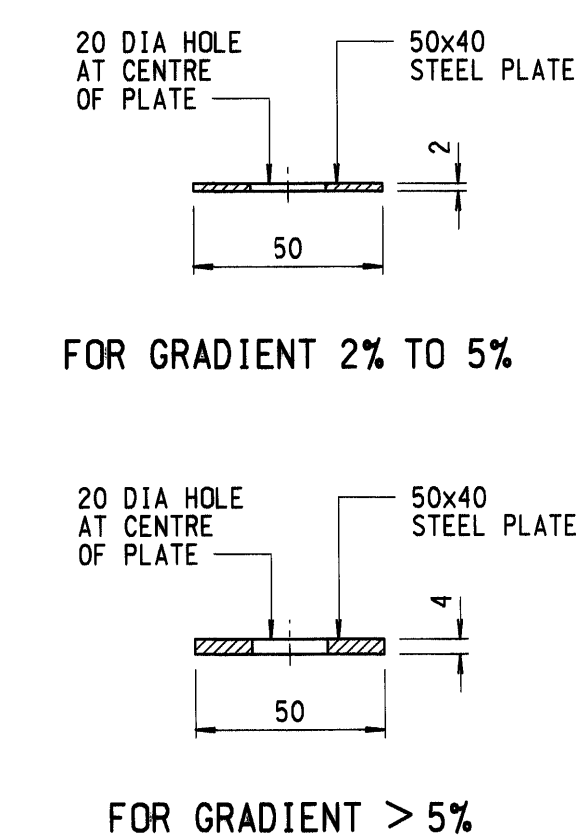
DETAIL 1  
SCALE 1:5  
(164(1))



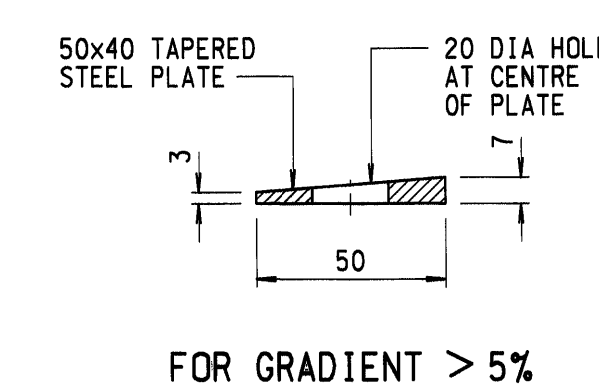
DETAIL 2  
SCALE 1:5  
(164(1))



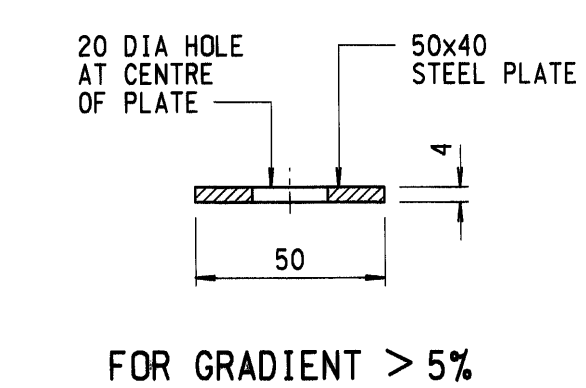
WEDGE SPACER  
SCALE 1:2



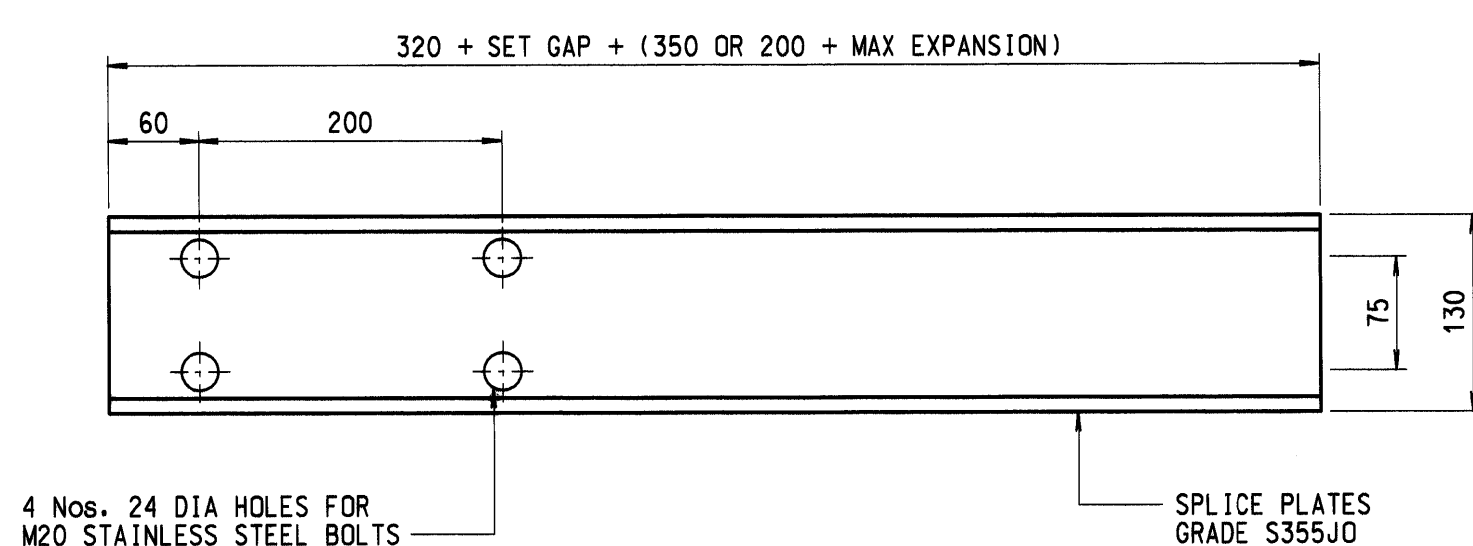
FLAT SPACER  
SCALE 1:2



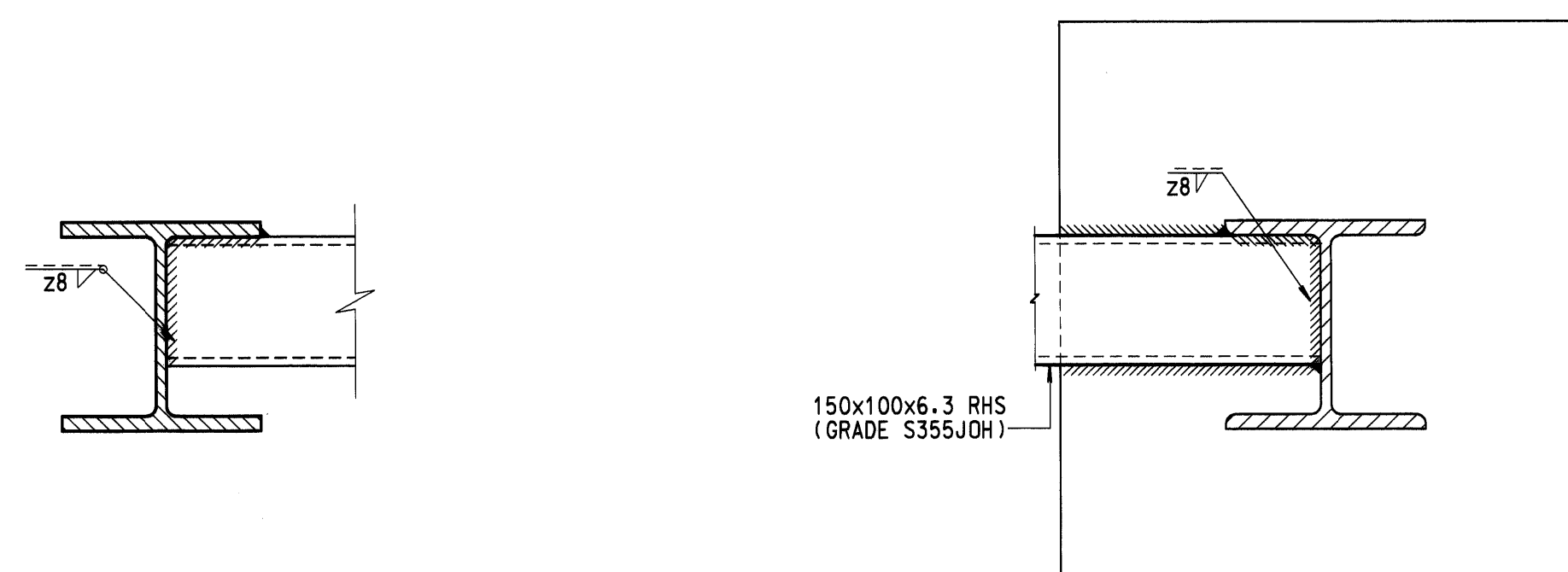
FOR GRADIENT  $> 5\%$



FOR GRADIENT  $> 5\%$

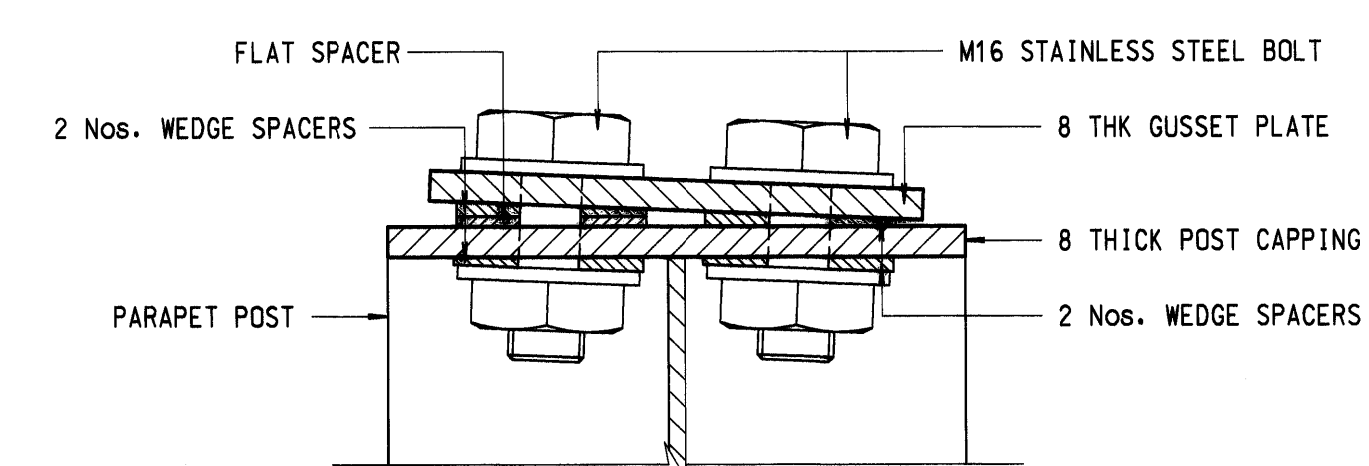


SECTION Q  
SCALE 1:5



SECTION S  
SCALE 1:5

SECTION R  
SCALE 1:5



DETAIL OF SPACER FOR SLOPING RAIL  
SCALE 1:2

NOTES:  
1. FOR NOTES AND LEGEND, SEE DRAWING No. SSD164(1).

no.	date	description	initial
REVISION			
designed	K. W. MO	<i>[Signature]</i>	06/07
drawn	T. W. LAM	<i>[Signature]</i>	07/07
senior technical officer	S. F. CHAN	<i>[Signature]</i>	07/07
project engineer	K. W. MO	<i>[Signature]</i>	08/07
senior engineer	C. K. CHAN	<i>[Signature]</i>	08/07
approved	<i>[Signature]</i>	9/8/07	date
P. K. LEE Chief Highway Engineer			

contract no.  
file no.  
project no.  
contract

drawing title  
**L3 4-RAIL STEEL PARAPET (TYPE PDN)**

(SHEET 2 OF 2)

drawing no. **SSD164(2)** scale **AS SHOWN**

office **BRIDGES AND STRUCTURES DIVISION** 橋樑及結構部

**HIGHWAYS DEPARTMENT** 路政署  
HONG KONG 香港