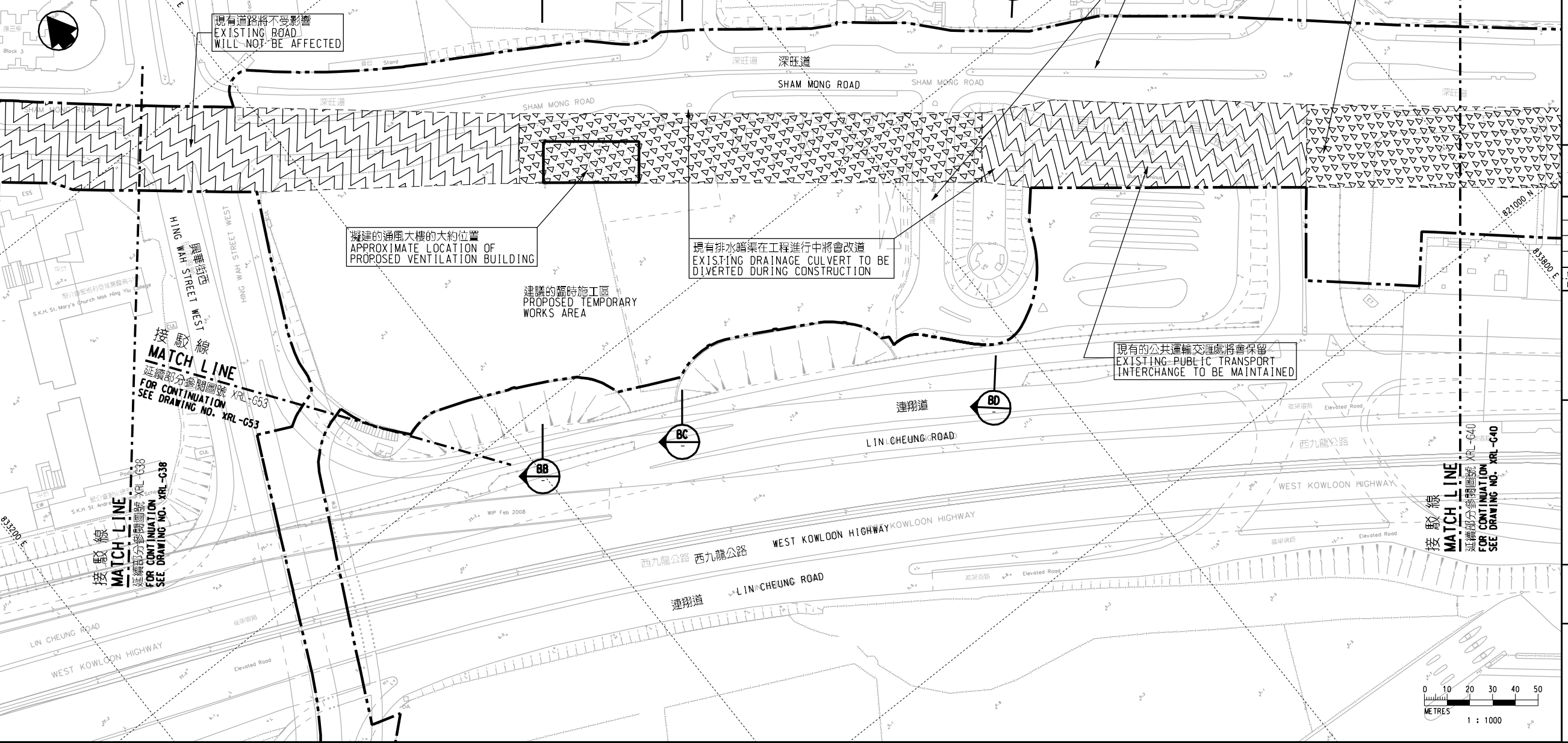
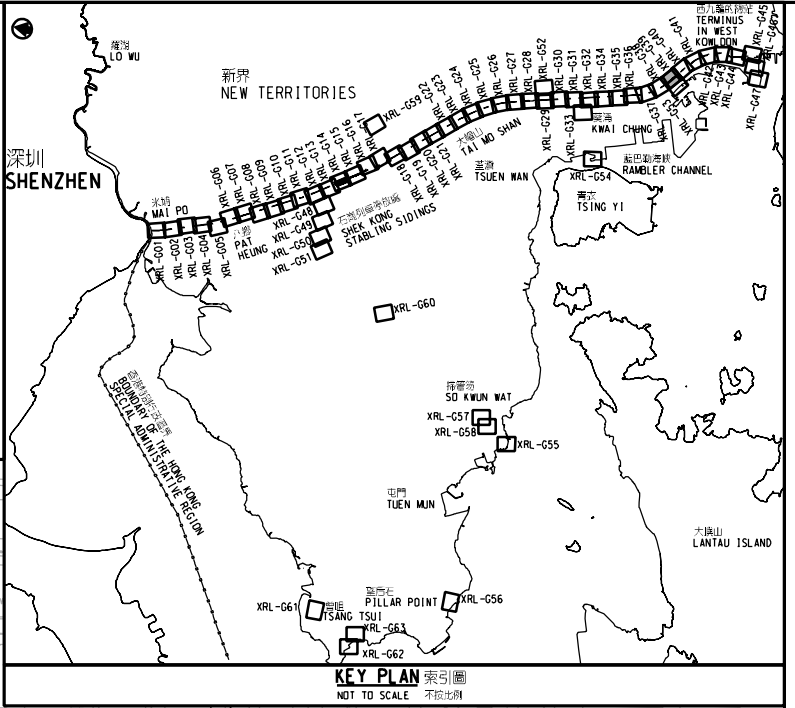
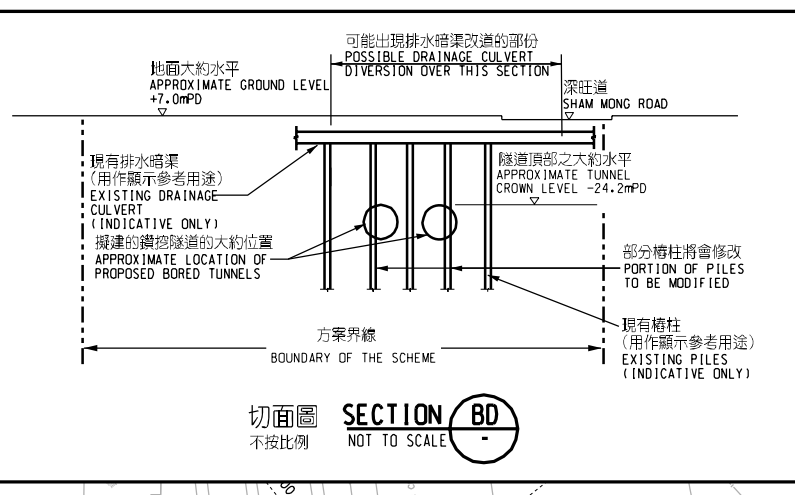
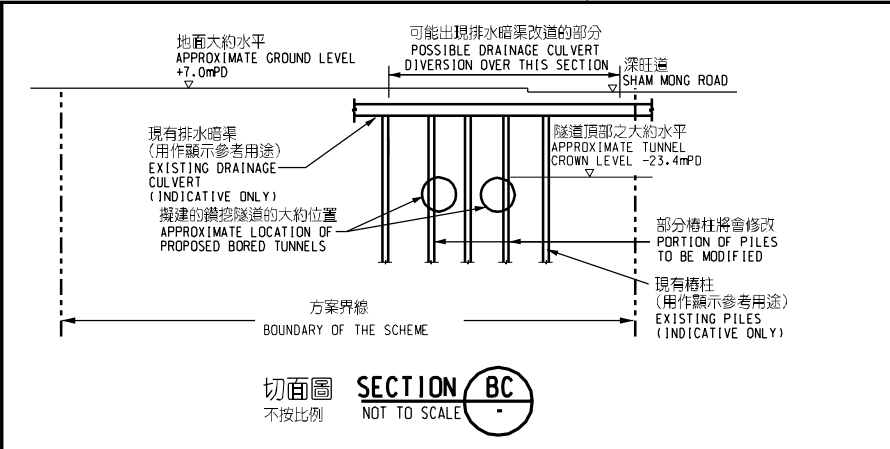
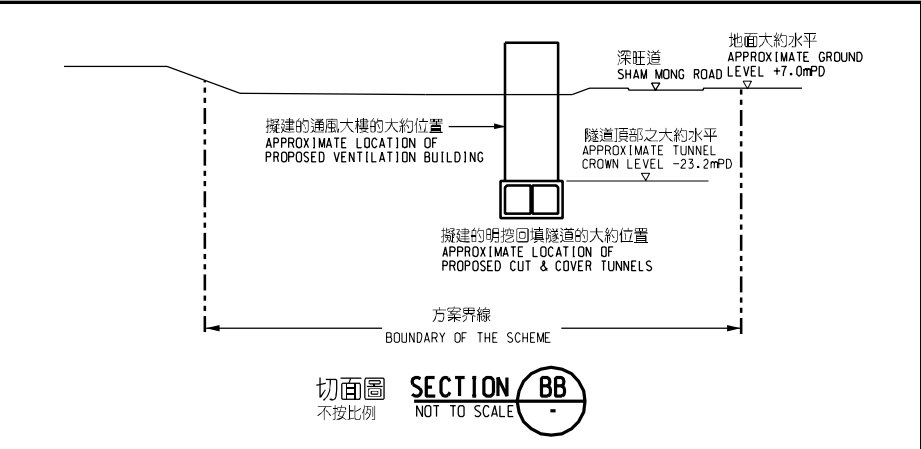


DRAWING NO. XRL-G39



圖例 LEGEND

- 方案界線
BOUNDARY OF THE SCHEME
- 擬建的車站及其他鐵路設施
PROPOSED STATION AND OTHER RAILWAY FACILITIES
- 擬建的車站及其他鐵路設施(地下)
PROPOSED STATION AND OTHER RAILWAY FACILITIES (UNDERGROUND)
- 擬建的鑽挖或掘掘或鑽爆隧道
PROPOSED BORED / MINED / DRILL AND BLAST TUNNEL
- 擬採用明挖回填法興建的鐵路設施或隧道
PROPOSED RAILWAY FACILITIES/TUNNEL BY CUT-AND-COVER METHOD
- 擬建的地下臨時建築通道
PROPOSED TEMPORARY UNDERGROUND CONSTRUCTION ACCESS
- 可能永久封閉的道路 (包括行車道和行人徑)
ROADS (INCLUDING CARRIAGEWAY AND FOOTPATH) WHICH MAY BE CLOSED PERMANENTLY
- 擬建的緊急車輛通道及行車道
PROPOSED EMERGENCY VEHICULAR ACCESS AND CARRIAGEWAY
- 擬建的行人徑
PROPOSED FOOTPATH
- 現有的行人天橋將受影響
EXISTING FOOTBRIDGE TO BE AFFECTED
- 擬建的臨時行人天橋/地面行人過路處
PROPOSED TEMPORARY FOOTBRIDGE / AT-GRADE PEDESTRIAN CROSSING
- 擬建的行人天橋
PROPOSED FOOTBRIDGE
- 可能在其上進行填海工程或其他工程的政府前濱或海床
GOVERNMENT FORESHORE OR SEABED OVER OR UPON WHICH RECLAMATION OR OTHER WORKS MAY BE CARRIED OUT

一般說明 GENERAL NOTES
1. 有關一般說明參閱圖號 XRL-G01.
FOR GENERAL NOTES, REFER TO DRAWING NO. XRL-G01.

修訂表 TABLE OF AMENDMENTS					
修訂 REV	日期 DATE	編制 BY	核對 SUB	負責 APP	說明 DESCRIPTION

發行人
APPROVED FOR ISSUE

路政署
鐵路拓展處處長(2)
GOVERNMENT ENGINEER/
RAILWAY DEVELOPMENT (2)
HIGHWAYS DEPARTMENT

發出日期
DATE OF ISSUE

圖則名稱
DRAWING TITLE
廣深港高速鐵路香港段
鐵路條例(第519章)
總體規劃圖則 63頁的第39頁
HONG KONG SECTION OF
GUANGZHOU - SHENZHEN - HONG KONG
EXPRESS RAIL LINK
RAILWAYS ORDINANCE (CHAPTER 519)
GENERAL LAYOUT PLAN SHEET 39 OF 63

圖號
DRAWING NO.
XRL - G39

比例
SCALE
1:1000 (A1)
或如顯示
OR
AS SHOWN

香港特別行政區政府
THE GOVERNMENT OF THE HONG KONG
SPECIAL ADMINISTRATIVE REGION

路政署
HIGHWAYS DEPARTMENT

鐵路拓展處
RAILWAY DEVELOPMENT OFFICE

